



E 0836
LE202

5072832 / 000001

Spare parts

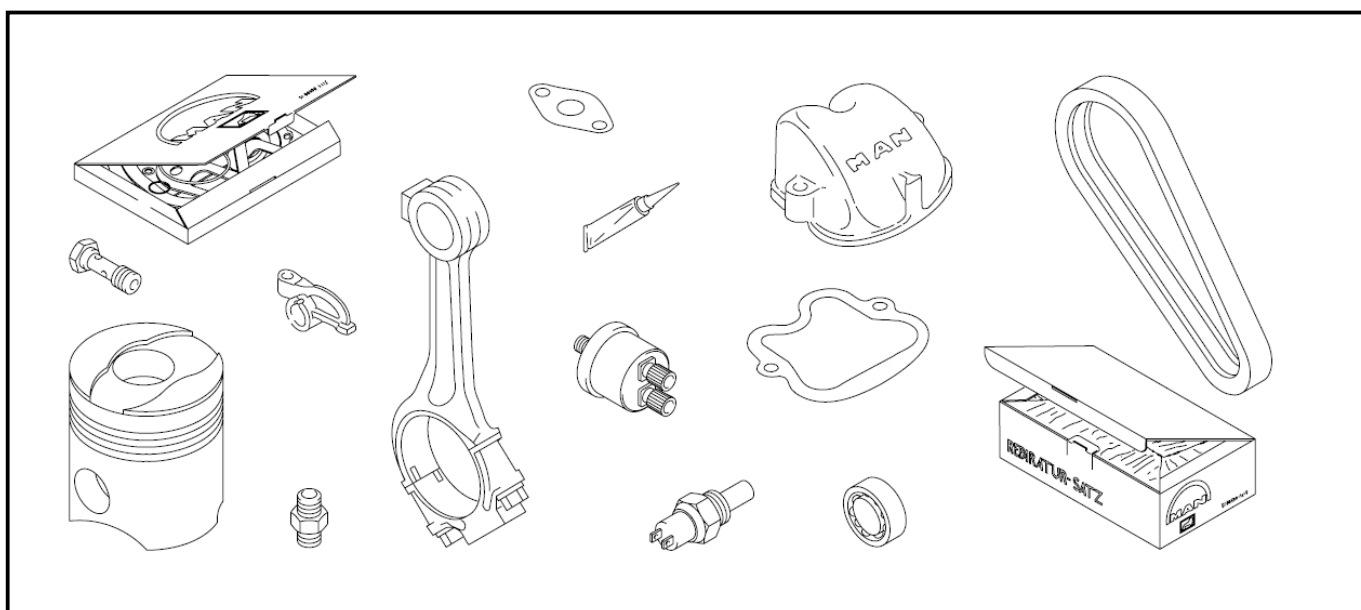


Otto gas engine

E 0836 LE202

Order number

5072832 / 000001





The right to make technical changes as the result of developments is reserved.

© 1995 MAN

Reprinting, duplication or translation of this text, in part or in whole, is not permitted without the written permission of MAN. All rights in accordance with the copyright act are expressly reserved by MAN.



TABLE OF CONTENTS

IMPORTANT NOTE	II
ENGINE NUMBERS	III
INTRODUCTION	IV
LIST OF TEXT TABLES	V
SUMMARY OF SALES GROUPS	VII
CATALOGUE	1



IMPORTANT NOTE

This catalogue is an exclusive edition for MAN engines, with the order number given at the bottom of each page. It is therefore in the owner's interest that it is kept in good condition. Spare parts for the engines in question can only be ordered using this catalogue. For this reason it is not permitted, even when using MAN's customer service, to keep the catalogue handy and supply the complete information for use when re-selling the engine. If any additional copies are required, these can be obtained on a spare parts basis. The order number for the catalogue is the same as the order number according to the purchase agreement for the engine.



ENGINE NUMBERS

This catalogue contains the spare parts for the following orders and engine numbers:

Order number	Engine number	Frame number
5072832 000001	11246095044609	

LIST OF TEXT TABLES



TABLE NUMBER	TEXT TABLE CONTENT	SEITE
#003001000117	CRANKCASE	1
#003001010005	CYLINDER LINER	3
#044001001560	ENGINE BREATHER BLEEDER HOUSING BLEEDER LINE	4
#044001000008	ENGINE BREATHER OIL TRAP	5
#027001000135	FLYWHEEL HOUSING	6
#027001000047	FLYWHEEL HOUSING SPACER RING	7
#044001001570	OIL RETURN LINES OIL TRAP	8
#003001010006	OIL SPRAYER NOZZLE	9
#027001000145	SPEED SENDER COVER	10
#001001000051	TIMING CASE	11
#001001000048	TIMING CASE MOUNTING PARTS	12
#001001000029	TIMING COVER	13
#001001000031	TIMING COVER COVER	14
#019002000148	BEARING	15
B024002000003	CONNECTING ROD COMPONENTS	16
B024002000003	CONNECTING ROD COMPONENTS	17
#019002000133	CRANKSHAFT	18
B021002000002	CRANKSHAFT COMPONENTS	19
#019002000072	DEAD-CENTRE INDICATOR	20
#010002000036	FLYWHEEL	21
#001002000092	PISTON CONNECTING ROD	22
#001003000036	CYLINDER HEAD	23
#001003000900	CYLINDER HEAD COVER	24
#001003000320	CYLINDER HEAD GASKET CYLINDER HEAD BOLT	25
#001003000083	INSTRUCTION PLATES	26
#017004000014	CAMSHAFT	27
#001004000077	INTERMEDIATE GEAR 1 GEAR STUD	28
#001004050003	ROCKER ARM VALVE TAPPET PUSH ROD	29
#001004000022	VALVE TAPPET PUSH ROD MOUNTING ROCKER ARM MECHANISM	30
#038005002020	OIL FILLER	31
#038005001010	OIL FILLER COVER	32
#012005000052	OIL FILTER OIL COOLER	33
#038005000059	OIL MEASUREMENT	35
#013005000166	OIL PUMP	36
#013005010004	OIL SUCTION LINE	38
#013005001340	OIL SUMP	39
B054105000001	PRESSURE RELIEF VALVE VERSION FOR REPAIRS COMPONENTS	40
#042006000230	COOLANT BLEEDER PIPE	41
#042006040001	COOLANT ELBOW	42
#047006000084	COOLING WATER INLET	43
#042006020007	COOLING WATER PIPE	44
#046006020001	THERMOSTAT HOUSING COVER	45
#011008000088	CHARGE MIXING SYSTEM AIR DISTRIBUTOR PIPE	46
#011008000091	CHARGE MIXING SYSTEM ELBOW THROTTLE VALVE	47
#016008000328	EXHAUST ELBOW	49
#016008060007	EXHAUST MANIFOLD MOUNTING PARTS	50
#016008060006	EXHAUST MANIFOLD WATER COOLED	51
#011008000216	INTAKE MANIFOLD	52
#011008002190	INTERCOOLER COMPONENTS	53
#011008000201	INTERCOOLER MOUNTING PARTS	54
#030008000016	TURBOCHARGER INTAKE MANIFOLD	56
#007009000538	TURBOCHARGER	57
#007009000539	TURBOCHARGER COOLING WATER LINES	58
#007009001390	TURBOCHARGER OIL LINES	59
#041019000025	ENGINE SUPPORT OPPOSITE FLYWHEEL END	60
#041019201220	LIFTING EYE REAR	61



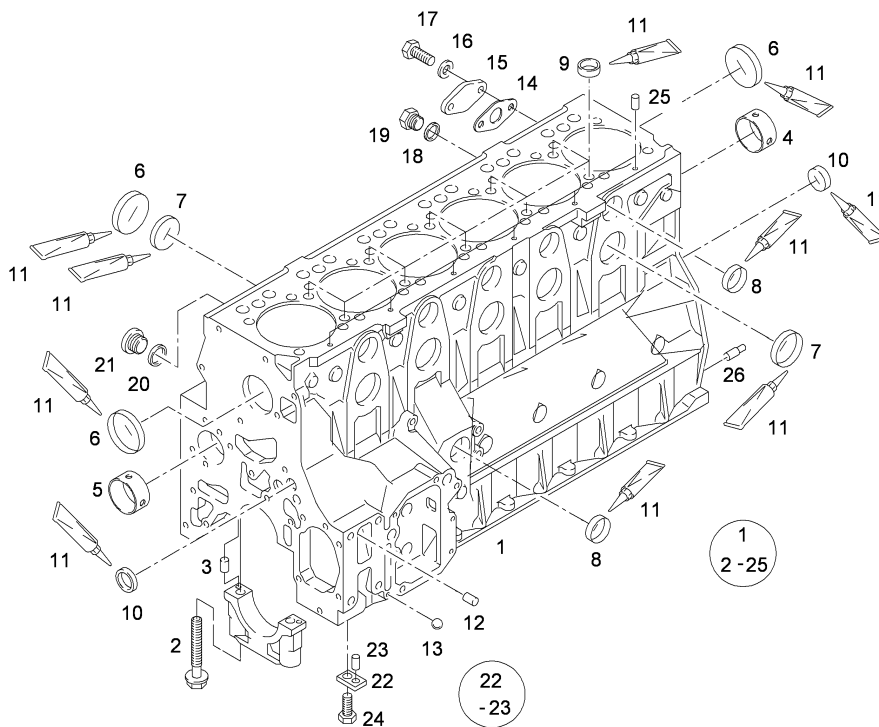
#060025000022	CONNECTING LINE	62
#060025000018	PLUG BRACKET	63
#053025000160	SPARK PLUG	64
#005026000330	STARTER	65
B262026000007	STARTER COMPONENTS	66
#060027000194	OIL PRESSURE SENSOR	68
#060027000174	TEMPERATURE SENDER	69
#060027010020	TEMPERATURE SENDER COOLING WATER	70
#006054000400	AIR COMPRESSOR DELETED COVER	71
#001099000035	ENGINE SEAL SET DECARBONIZER SET	72

SUMMARY OF SALES GROUPS



Sales group no.	CONTENT OF SALES GROUPS	SEITE
51.#0010-0907	ENGINE E0836 LE202 COMPRESSION 11,0	11, 12, 13, 14, 22, 23, 24, 25, 26, 28, 29, 30, 72
51.#0030-0267	CRANKCASE	1, 3, 9
51.#0050-0298	STARTER 85P50 24V/5KW,SAE1/SAE2	65
51.#0060-0489	WITHOUT AIR COMPRESSOR	71
51.#0070-0698	TURBOCHARGER E0836 LE202	57, 58, 59
51.#0100-0851	FLYWHEEL 352,4DM SAE2 I=1,7 KGM2	21
51.#0110-0754	CHARGE MIXING SYSTEM	46, 47, 52, 53, 54
51.#0120-0305	OIL FILTER AND RADIATOR	33
51.#0130-0632	OIL SUMP SEMI-SHALLOW	36, 38, 39
51.#0160-0465	EXHAUST SYSTEM E0836 LE202/LE302	49, 50, 51
51.#0170-0289	CAMSHAFT	27
51.#0190-0424	CRANKSHAFT	15, 18, 20
51.#0270-0291	FLYWHEEL HOUSING SAE2 WITH SPACER RING	6, 7, 10
51.#0300-0368	INTAKE MANIFOLD	56
51.#0380-0650	OIL DIPSTICK MARKED	35
51.#0380-0793	OIL FILLER RIGHT	31, 32
51.#0410-0690	ENGINE MOUNTING GS AND SUSPENSION GS	60, 61
51.#0420-0077	COOLING WATER PIPE	41, 42, 44
51.#0440-0382	ENGINE BREATHER	4, 5, 8
51.#0460-0104	COOLANT OUTLET	45
51.#0470-0614	COOLING WATER INLET	43
51.#0530-0026	SPARK PLUG	64
51.#0600-0582	ENGINE - MONITORING	62, 63, 68, 69, 70
51.02100-6022	CRANKSHAFT ASSEMBLY	19
51.02400-6040	CRACK CONROD ASSEMBLY FOR GAS ENGINE	17
51.02400-6177	CONNECTING ROD	16
51.05410-6002	PRESSURE RELIEF VALVE VERSION FOR REPAIRS	40
51.26201-7236	STARTER	66





E 0836 LE202

#003001000117

CRANKCASE

1	51.01100-6350	CRANKCASE	1
2	51.90020-0352	HEX COLLAR BOLT M14X118-10.9-PHR	14
3	51.91301-0083	DOWEL PIN 6H8X10-E295	14
4	51.04410-0156	CAMSHAFT BUSH	4
4	51.04410-0157	CAMSHAFT BUSH + 0,03	6
5	51.04410-0161	CAMSHAFT BUSH NORMAL	1
5	51.04410-0162	CAMSHAFT BUSH OVERSIZE	1
6	51.91606-0100	COVER A62,15/10,25-X5CRNI1810	8
7	51.91606-0091	COVER A50,15/10-X5CRNI1810N	11
-	-	OR	*
7	51.91606-0088	COVER A51,15/10-X5CRNI1810	11
8	51.91606-0090	COVER A40,15/14,5-X5CRNI1810N	6
-	-	OR	*
8	51.91606-0087	COVER A41,15/14,5-X5CRNI1810	6
9	06.15094-4109	COVER B16/5-X5CRNI1810	10
10	06.15094-4113	COVER B20/6-X5CRNI1810	2
11	04.10160-9164	ADHESIVE 50 ML BOTTLE	NB
12	06.21649-0004	PLUG 8X6,5-C15PB/9SMNPB28K-BK/BK	1
13	06.21649-0003	PLUG 6X5,0-C15PB/9SMNPB28K-BK/BK	2
14	51.96601-0576	GASKET	1
15	51.98112-2420	FLANGE	1

V-GR.: 51.#0030-0267

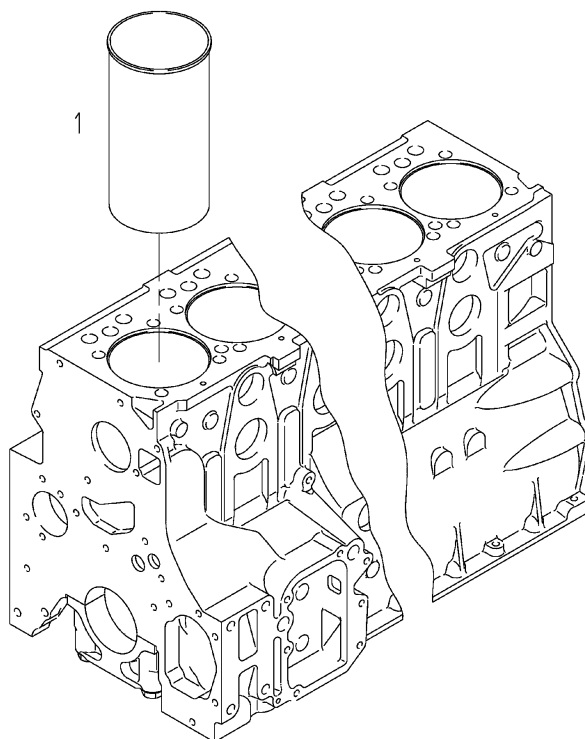
**E 0836 LE202**

#003001000117

16	06.15013-0411	WASHER 8X16X1,6-200HV-MAN183-B1	2
17	06.01283-5113	HEXAGON SCREW M8X20-8.8-MAN183-B1	2
18	06.56631-0235	SEAL 14,3X22X1,5-ST/FKM1-80 WITH ELASTOMER LIP	1
19	06.08092-0144	DRAIN PLUG AM14X1,5-ST-A3C	1
20	06.56631-0114	SEAL 31X39X2-ST/FPM1-80 WITH ELASTOMER LIP	3
21	06.08042-0611	DRAIN PLUG M30X1,5-ST-A3C	3
22	51.01112-5065	FLANGE	1
23	06.22022-0807	DOWEL PIN 5M6X10-ST50-2K	1
24	06.01283-5313	HEXAGON SCREW M12X20-8.8-MAN183-B1	1
25	51.91301-0083	DOWEL PIN 6H8X10-E295	6
26	51.91301-0087	CENTRING PIN 10H8X24/9,6X22-11SMNPB30+C	2

V-GR.: 51.#0030-0267

01-9259/1



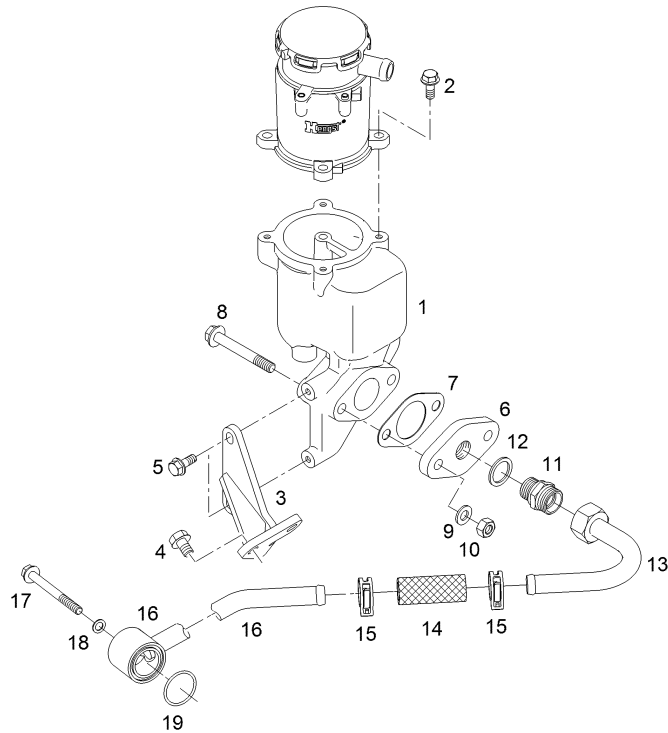
E 0836 LE202

#003001010005

CYLINDER LINER

1	51.01201-0386	CYLINDER LINER NORMAL	6
1	51.01201-0400	CYLINDER LINER EXT. DIAMETER + 0.50 MM 111,99 MM	NB
1	51.01201-0401	CYLINDER LINER COLLAR HEIGHT 4,24	NB

V-GR.: 51.#0030-0267



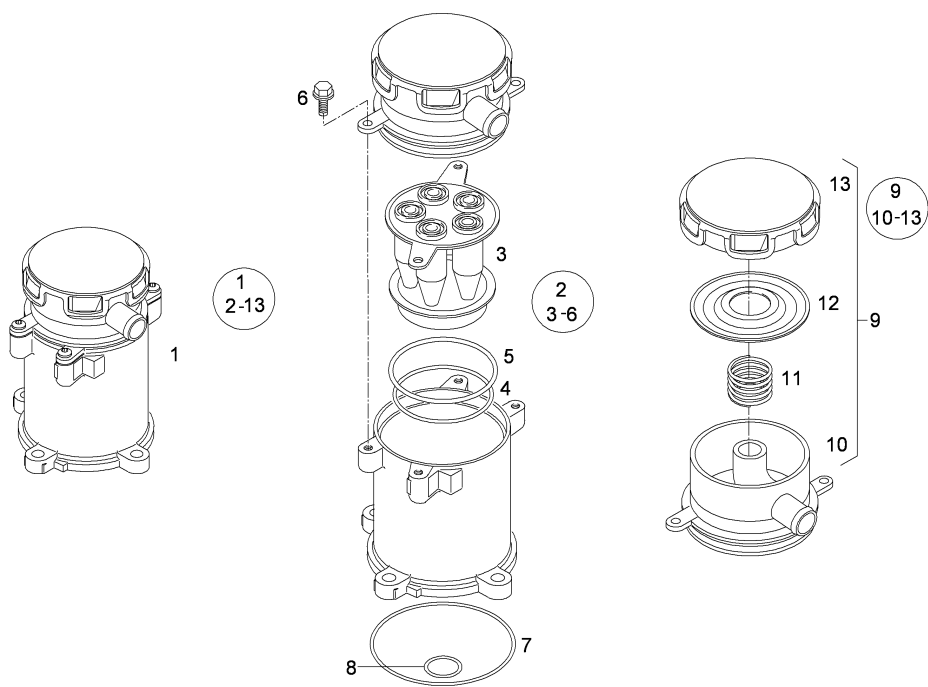
E 0836 LE202

#044001001560

ENGINE BREATHER BLEEDER HOUSING BLEEDER LINE

1	51.01801-0067	BLEEDER HOUSING	1
2	06.03216-8304	HEX FLANGE BOLT M8X20-10.9-MAN183-B1	4
3	51.01840-5026	BRACKET	1
4	06.03216-8405	HEX FLANGE BOLT M10X25-10.9-MAN183-B1	2
5	06.03216-8304	HEX FLANGE BOLT M8X20-10.9-MAN183-B1	2
6	51.98112-0114	FLANGE	1
7	06.56254-3706	GASKET 40X68X1,0-AFOE4-M3219-G1	1
8	06.03216-8431	HEX FLANGE BOLT M10X75-10.9-MAN183-B1	2
9	06.15013-0412	WASHER 10X20X2-200HV-MAN183-B1	2
10	06.11065-2115	HEXAGON NUT M10-10-MAN183-B1	2
11	06.71060-2106	STRAIGHT UNION L18A-M-ST-MAN183-B1	1
12	06.56631-0239	SEAL 22,3X30X1,5-ST/FKM1-80 WITH ELASTOMER LIP	1
13	51.01802-5712	BLEEDER LINE 18X1,5-ST35NBK	1
14	51.96330-0383	HOSE 18X65-1	1
15	06.67420-1226	SPRING CLIP A-26X12	2
16	51.01802-5720	BLEEDER LINE 18X1,5-ST35NBK	1
17	06.03216-8332	HEX FLANGE BOLT M8X85-10.9-MAN183-B1	1
18	06.56631-0232	SEAL 8,3X14X1-ST/FKM1-80 WITH ELASTOMER LIP	1
19	06.56332-2167	O-RING 32X2,5B-ACM1-60	1

V-GR.: 51.#0440-0382



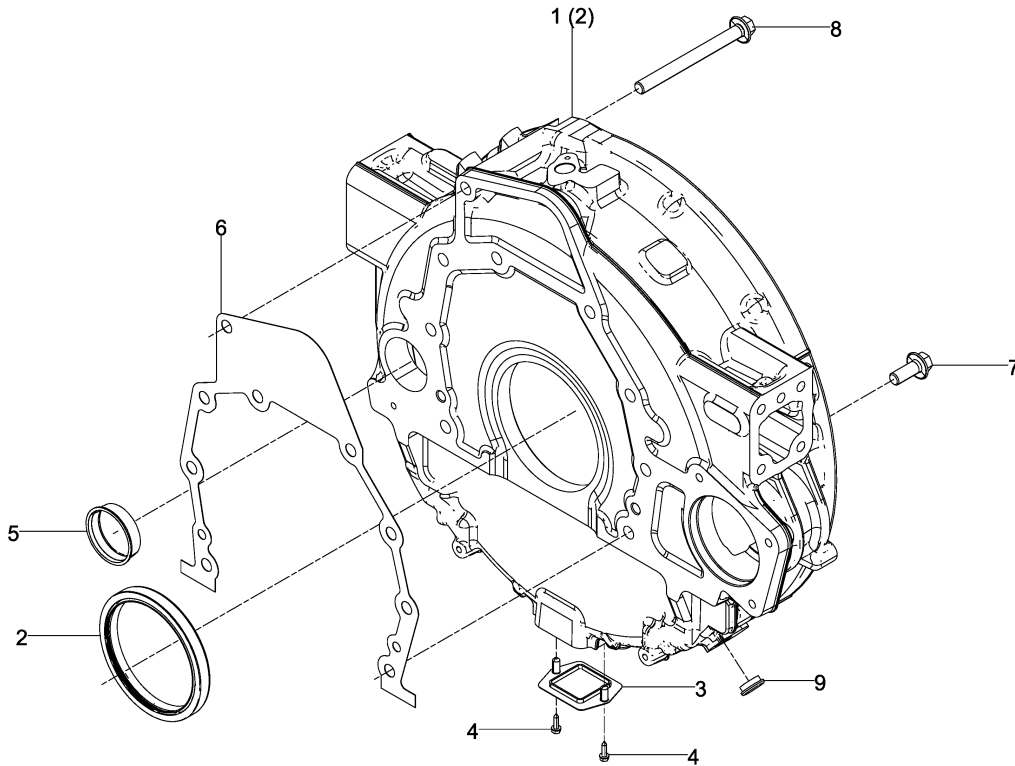
E 0836 LE202

#044001000008

ENGINE BREATHER OIL TRAP

1	51.01804-7042	OIL TRAP	1
2	51.01807-0004	OIL TRAP REPAIR KIT	1
3	51.01807-0003	OIL TRAP INSERT	1
4	51.96501-0554	SEAL FOR OIL TRAP	1
5	51.96501-0555	SEAL FOR OIL TRAP	1
6	06.03215-8103	HEX FLANGE BOLT M5X16-8.8-MAN183-B1	2
7	51.96501-0557	PROFILED SEAL	1
8	51.96501-0556	O-RING	1
9	51.01804-6003	VALVE HOUSING PARTS KIT	1
10	51.01804-0031	VALVE HOUSING OIL TRAP ASSEMBLY	1
11	51.97630-0016	COIL SPRING	1
12	51.01804-0045	DIAPHRAGM	1
13	51.01804-0030	COVER OIL TRAP	1

V-GR.: 51.#0440-0382



E 0836 LE202

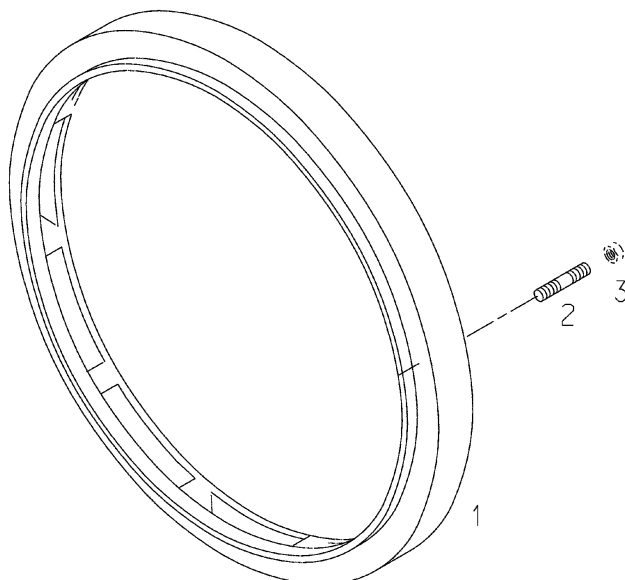
#027001000135

FLYWHEEL HOUSING

1	51.01401-6330	FLYWHEEL HOUSING SAE2	1
2	51.01510-7001	RADIAL SHAFT SEAL REAR	1
3	51.91605-0127	COVER	1
4	06.07241-0505	TAPPING SCREW,HEX ST4,2X16-C-A3C WITH COLLAR	2
5	51.96002-0077	PLUG DN54-PE-NF	1
6	51.01903-0343	FLYWHEEL HOUSING SEAL	1
7	06.03216-8507	HEX FLANGE BOLT M12X35-10.9-MAN183-B1	8
8	06.03216-8520	HEX FLANGE BOLT M12X130-10.9-MAN183-B1	1
9	51.96002-0046	PLUG 20X12-PE-SW	1

V-GR.: 51.#0270-0291

01-9374



E 0836 LE202

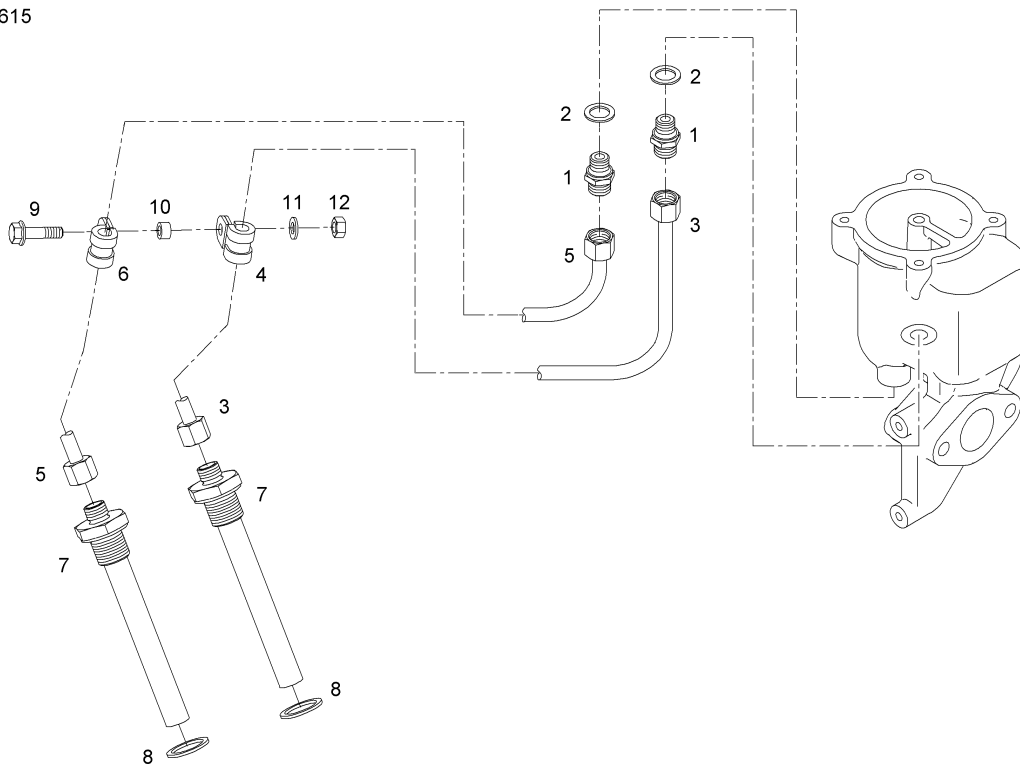
#027001000047

FLYWHEEL HOUSING SPACER RING

1	51.30120-0084	SPACER RING	1
2	06.06139-0061	STUD M10X70-8.8-MAN183-B1	12
3	06.11251-2001	HEX LOCK NUT M10-10-MAN183-B1	12
-	06.15193-0310	WASHER 10X30X2.5-200HV-MAN183-B1	12

V-GR.: 51.#0270-0291

01-8615



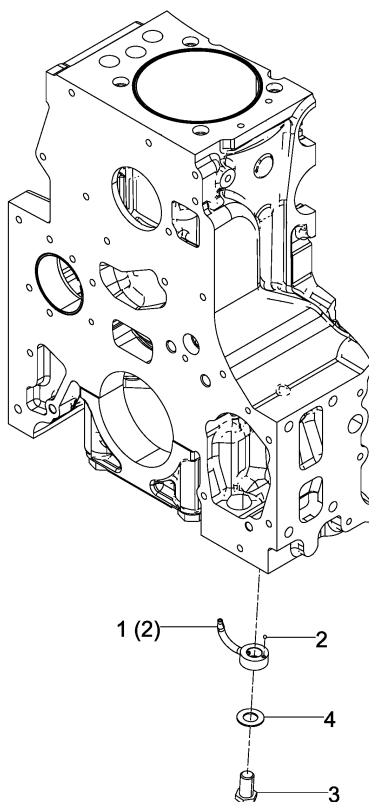
E 0836 LE202

#044001001570

OIL RETURN LINES OIL TRAP

1	51.98130-0579	STRAIGHT UNION M14X1,5-NW10	2
2	06.56631-0235	SEAL 14,3X22X1,5-ST/FKM1-80 WITH ELASTOMER LIP	2
3	51.05703-5721	OIL RETURN PIPE 10X1,5-ST35NBK	1
-	51.96501-0642	SEAL E02-10L-ST-VITON	2
4	06.67300-1030	CLAMP D1-10X20-W4-EPDM	1
5	51.05703-5720	OIL RETURN PIPE 10X1,5-ST35NBK	1
-	51.96501-0642	SEAL E02-10L-ST-VITON	2
6	06.67300-1030	CLAMP D1-10X20-W4-EPDM	1
7	51.05703-5717	OIL RETURN PIPE 18X1,5-ST35NBK	2
8	06.56631-0111	SEAL 24,7X32X2-ST/FPM1-80 WITH ELASTOMER LIP	2
9	06.03216-8306	HEX FLANGE BOLT M8X30-10.9-MAN183-B1	1
10	51.90710-0080	SPACER 9X19X4-9SMNPB28K	1
11	06.15013-0411	WASHER 8X16X1,6-200HV-MAN183-B1	1
12	06.11065-2114	HEXAGON NUT M8-10-MAN183-B1	1

V-GR.: 51.#0440-0382



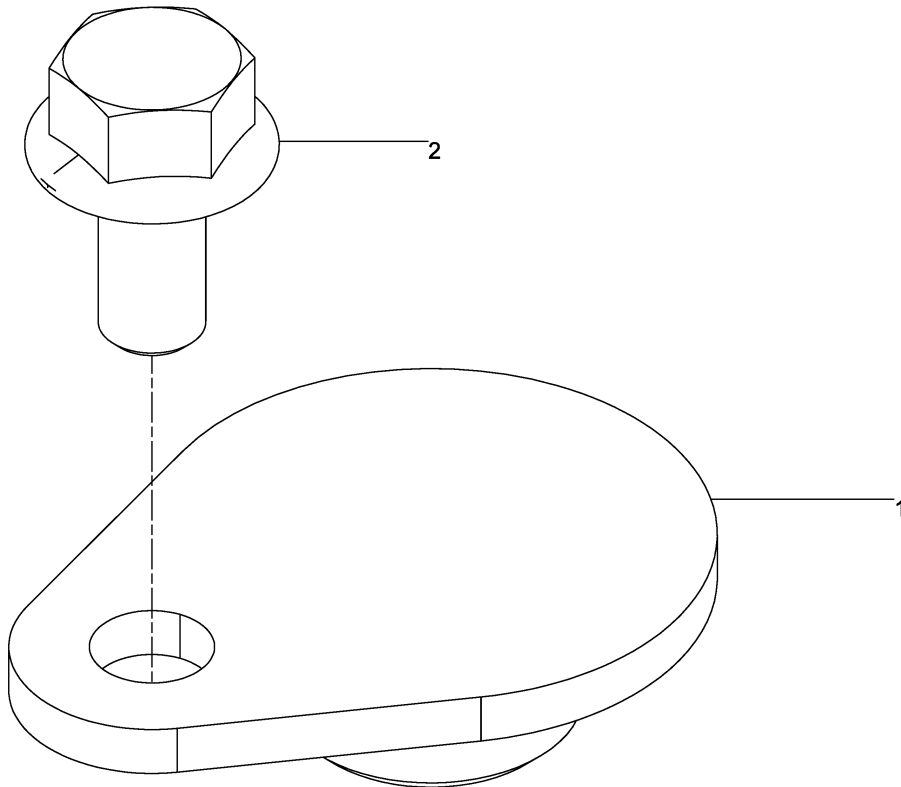
E 0836 LE202

#003001010006

OIL SPRAYER NOZZLE

1	51.01601-5065	OIL SPRAYER NOZZLE ASSEMBLY	6
2	06.31630-0311	BALL 3G20	6
3	51.05405-5024	OIL PRESSURE VALVE ASSEMBLY	6
4	06.16049-0024	SPRING WASHER B12-FST-MAN183-B1	6

V-GR.: 51.#0030-0267



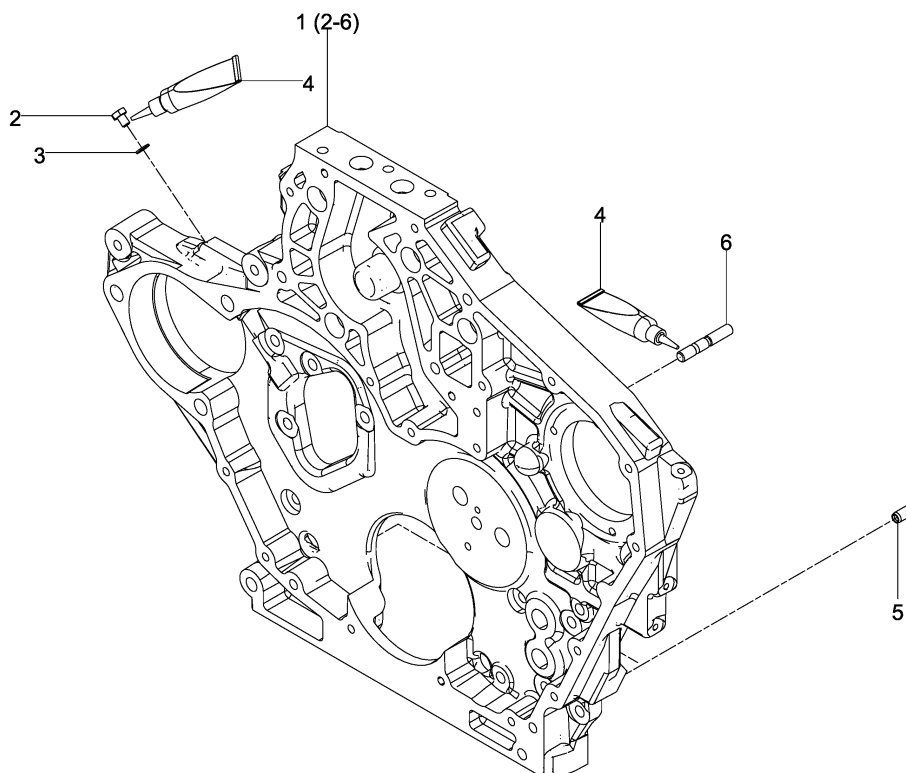
E 0836 LE202

#027001000145

SPEED SENDER COVER

1	51.01402-0096	COVER	1
2	06.03216-8202	HEX FLANGE BOLT M6X12-10.9-MAN183-B1	1

V-GR.: 51.#0270-0291



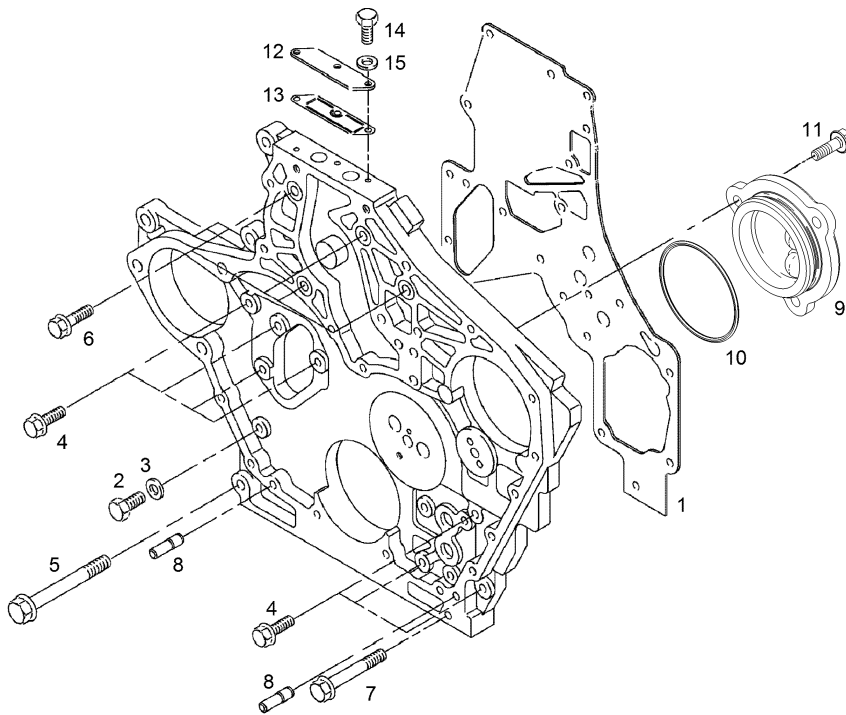
E 0836 LE202

#001001000051

TIMING CASE

1	51.01304-6093	TIMING CASE	1
2	06.01283-2907	HEXAGON SCREW M6X8-8.8-MAN183-A2C	1
3	06.56631-0231	SEAL 6,3X11X1-ST/FKM1-80 WITH ELASTOMER LIP	1
4	04.10160-9164	ADHESIVE 50 ML BOTTLE	1
5	06.22220-1208	SPIRAL DOWEL PIN 8X16-ST	2
6	06.06135-0709	STUD M8X35-8.8	1

V-GR.: 51.#0010-0907



E 0836 LE202

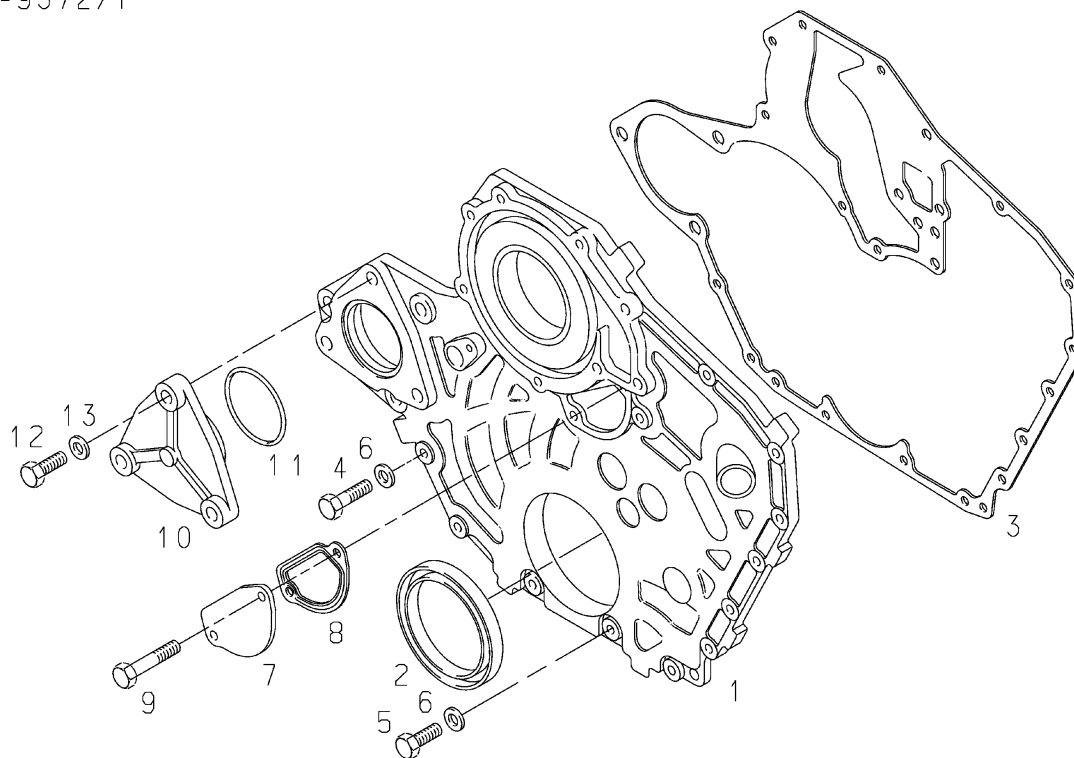
#001001000048

TIMING CASE MOUNTING PARTS

1	51.01903-0333	CONTROL HOUSING SEAL	1
1	-	SEALANT 300 ML CARTRIDGE WITH NOZZLE	NB
2	06.01284-7112	HEXAGON SCREW M8X18-10.9-MAN183-PHR	1
3	06.15013-0411	WASHER 8X16X1,6-200HV-MAN183-B1	1
4	06.03216-8305	HEX FLANGE BOLT M8X25-10.9-MAN183-B1	7
5	06.03216-8410	HEX FLANGE BOLT M10X50-10.9-MAN183-B1	1
6	06.03216-8307	HEX FLANGE BOLT M8X35-10.9-MAN183-B1	4
7	06.03216-8309	HEX FLANGE BOLT M8X45-10.9-MAN183-B1	1
8	51.91301-0086	CENTRING PIN 8H8X10/7,6X20-11SMNPB30+C	2
9	51.01305-0190	COVER	1
10	06.56341-2220	O-RING 75X3B-NBR3-70	1
11	06.03215-8305	HEX FLANGE BOLT M8X25-8.8-MAN183-B1	3
12	51.01305-0164	COVER	1
13	51.06904-0044	GASKET THERMOSTAT HOUSING	1
14	06.01283-5114	HEXAGON SCREW M8X22-8.8-MAN183-B1	3
15	06.15013-0411	WASHER 8X16X1,6-200HV-MAN183-B1	3

V-GR.: 51.#0010-0907

01-9372/1



E 0836 LE202

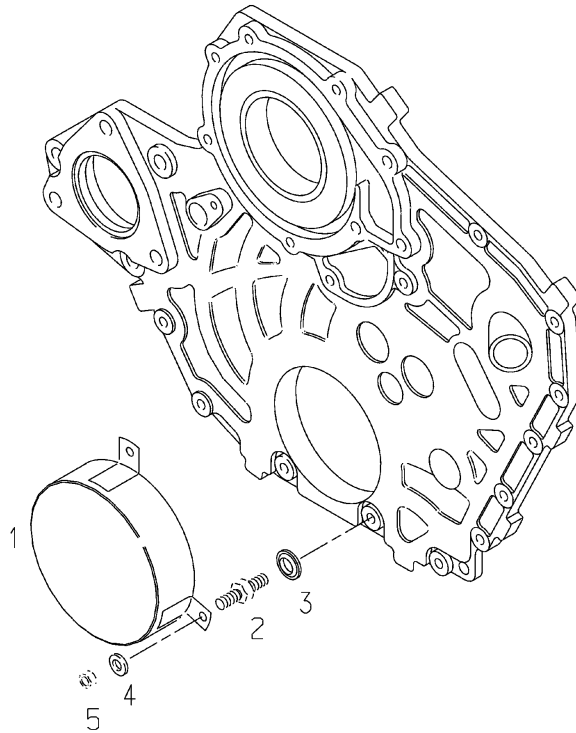
#001001000029

TIMING COVER

1	51.01305-5216	TIMING COVER	1
2	51.01510-7000	RADIAL SHAFT SEAL FRONT	1
3	51.01903-0322	CONTROL HOUSING SEAL	1
4	06.01283-5118	HEXAGON SCREW M8X35-8.8-MAN183-B1	8
5	06.01283-3115	HEXAGON SCREW M8X25-8.8-A2C	3
6	06.15013-0411	WASHER 8X16X1,6-200HV-MAN183-B1	11
7	51.01305-0161	COVER	1
8	51.06903-0059	COOLANT PIPE SEAL	1
9	06.03215-6308	HEX FLANGE BOLT M8X40-8.8-MAN183-PHR	2
10	51.01305-0165	COVER	1
11	06.56343-2241	O-RING 75X3B-FPM1-70-GN	1
12	06.03216-8406	HEX FLANGE BOLT M10X30-10.9-MAN183-B1	3

V-GR.: 51.#0010-0907

01-9376/1



E 0836 LE202

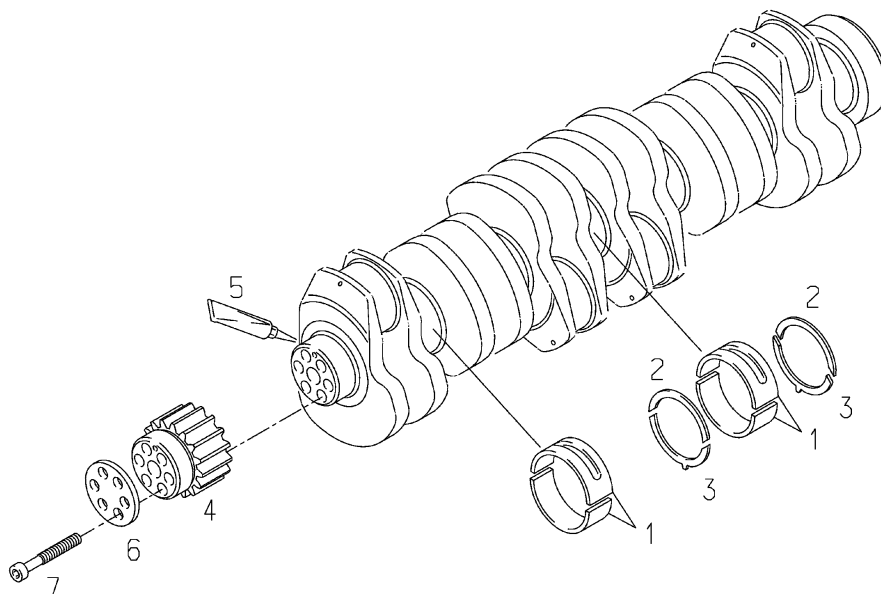
#001001000031

TIMING COVER COVER

1	51.01307-5020	COVER FOR TIMING COVER	1
2	51.98131-0198	THREADED UNION	3
3	06.56631-0231	SEAL 6,3X11X1-ST/FKM1-80 WITH ELASTOMER LIP	3
4	06.15013-0409	WASHER 6X12X1,6-200HV-MAN183-B1	3
5	06.11064-2112	HEXAGON NUT M6-8-MAN183-B1	3

V-GR.: 51.#0010-0907

02-9207



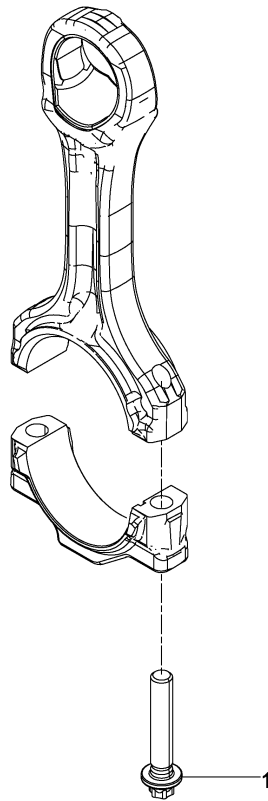
E 0836 LE202

#019002000148

BEARING

1	51.01113-6088	MAIN BEARING NORMAL ASSEMBLY	7
1	51.01113-6107	MAIN BEARING NORMAL 1 = 0,10 MM ASSEMBLY	NB
1	51.01113-6108	MAIN BEARING REPAIR STAGE 1 = 0,25 MM ASSEMBLY	NB
2	51.01114-0222	THRUST WASHER UPPER	2
2	51.01114-0237	THRUST WASHER UPPER THRUST BEARING REPAIR STAGE 1 = 0,25 MM	NB
3	51.01114-0223	THRUST WASHER LOWER	2
3	51.01114-0236	THRUST WASHER LOWER THRUST BEARING REPAIR STAGE 1 = 0,25 MM	NB
4	51.02115-0251	TIMING GEAR - CRANKSHAFT	1
5	04.10160-9249	SEALANT OMNIFIT FD3041 50ML TUBE	NB
6	51.02205-0021	WASHER	1
7	51.90030-0081	CYLINDER SCREW M14X1,5X75CH-10.9-ZNPHR3F	6

V-GR.: 51.#0190-0424



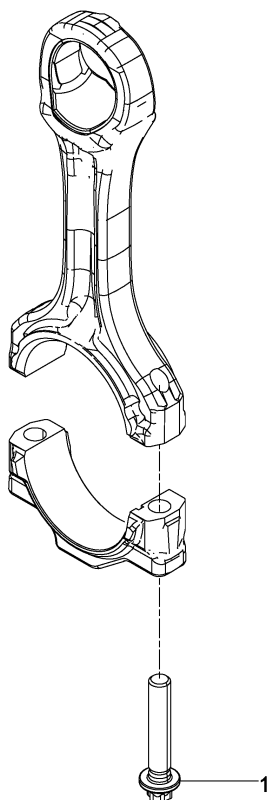
E 0836 LE202

B024002000003

CONNECTING ROD COMPONENTS

1	51.90490-0028	EXTERNAL HEX ROUND BOLT M11X1,5X60-11.9-E14-PHR	2
---	---------------	---	---

V-GR.: 51.02400-6177



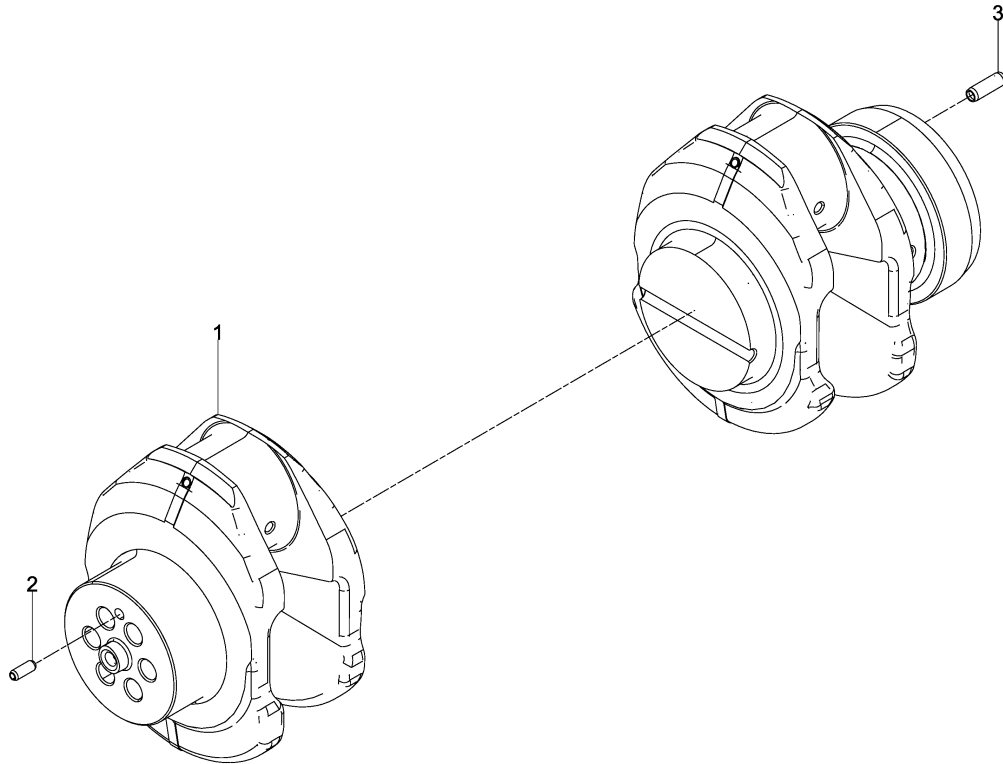
E 0836 LE202

B024002000003

CONNECTING ROD COMPONENTS

1	51.90490-0028	EXTERNAL HEX ROUND BOLT M11X1,5X60-11.9-E14-PHR	2
---	---------------	---	---

V-GR.: 51.02400-6040



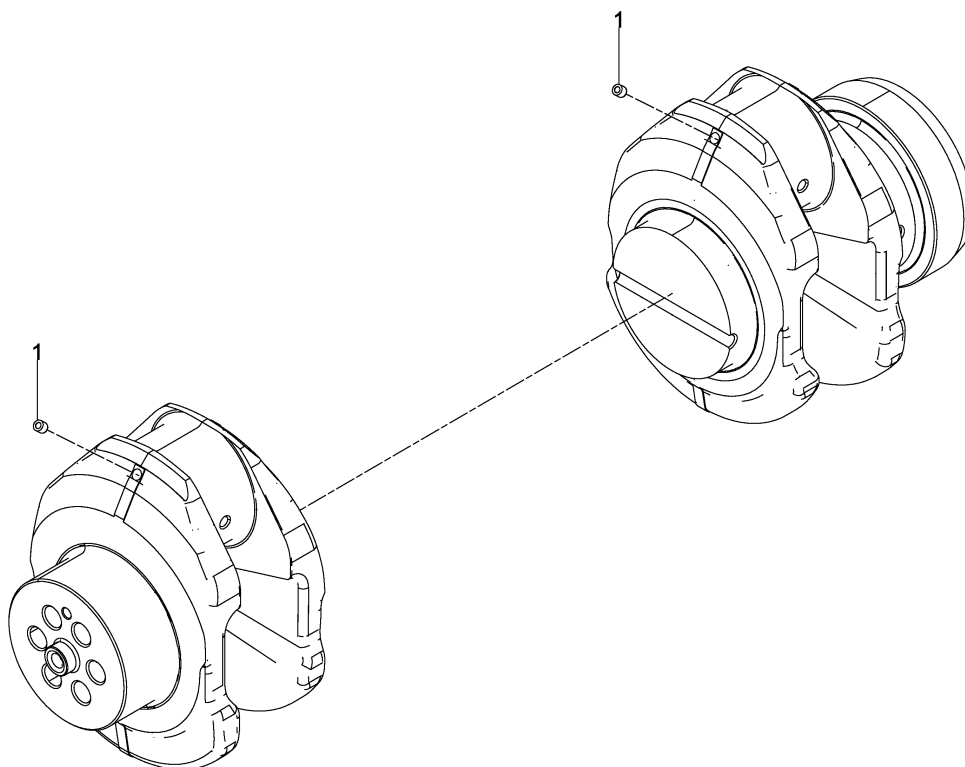
E 0836 LE202

#019002000133

CRANKSHAFT

1	51.02100-6022	CRANKSHAFT ASSEMBLY	1
1	-	FOR INDIVIDUAL PARTS SEE REFERENCE NUMBER	*
2	06.22120-1008	PIN 6X16-ST	1
3	06.22220-1212	SPIRAL DOWEL PIN 8X24-ST	1

V-GR.: 51.#0190-0424



E 0836 LE202

B021002000002

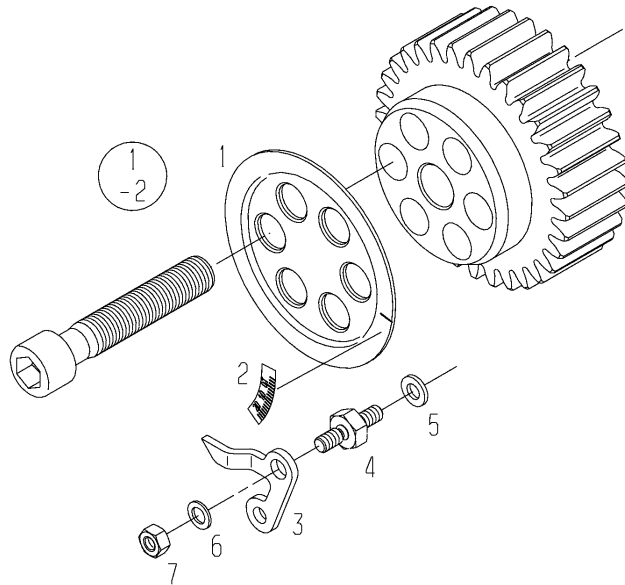
CRANKSHAFT COMPONENTS

1 | 06.21649-0003 | PLUG 6X5,0-C15PB/9SMNPB28K-BK/BK

6

V-GR.: 51.02100-6022

02-9217



E 0836 LE202

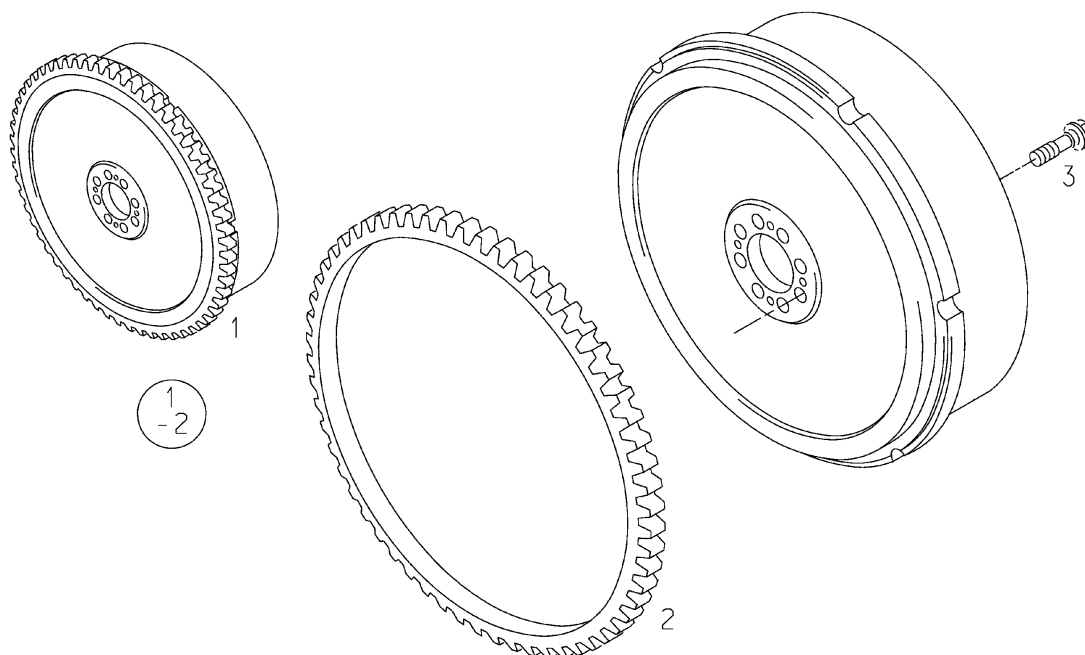
#019002000072

DEAD-CENTRE INDICATOR

1	51.02205-5000	SCALE	1
2	51.97801-0336	ADHESIVE FOIL	1
3	51.97908-0091	POINTER	1
4	51.98131-0198	THREADED UNION	1
5	06.56631-0231	SEAL 6,3X11X1-ST/FKM1-80 WITH ELASTOMER LIP	1
6	06.15013-0409	WASHER 6X12X1,6-200HV-MAN183-B1	1
7	06.11064-2112	HEXAGON NUT M6-8-MAN183-B1	1

V-GR.: 51.#0190-0424

02-9205



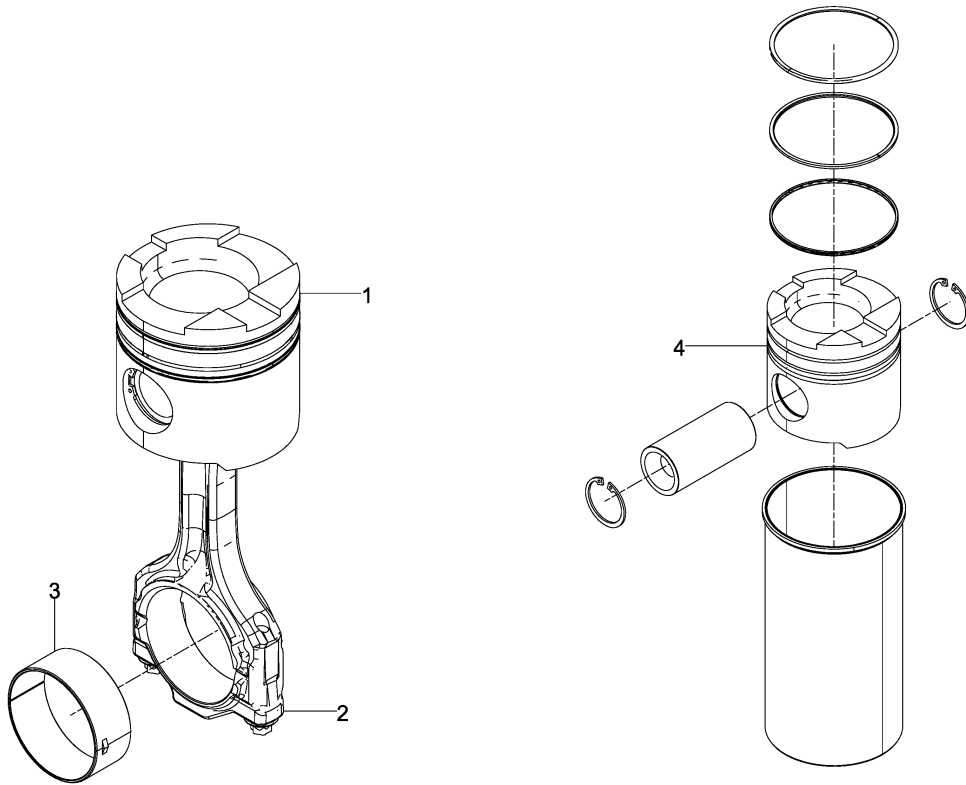
E 0836 LE202

#010002000036

FLYWHEEL

1	51.02301-5207	FLYWHEEL ASSEMBLY	1
2	51.02310-0086	STARTER RING GEAR Z=143	1
3	51.90020-0339	HEX COLLAR BOLT M14X1,5X35-10.9-ZNPHR3F	8

V-GR.: 51.#0100-0851



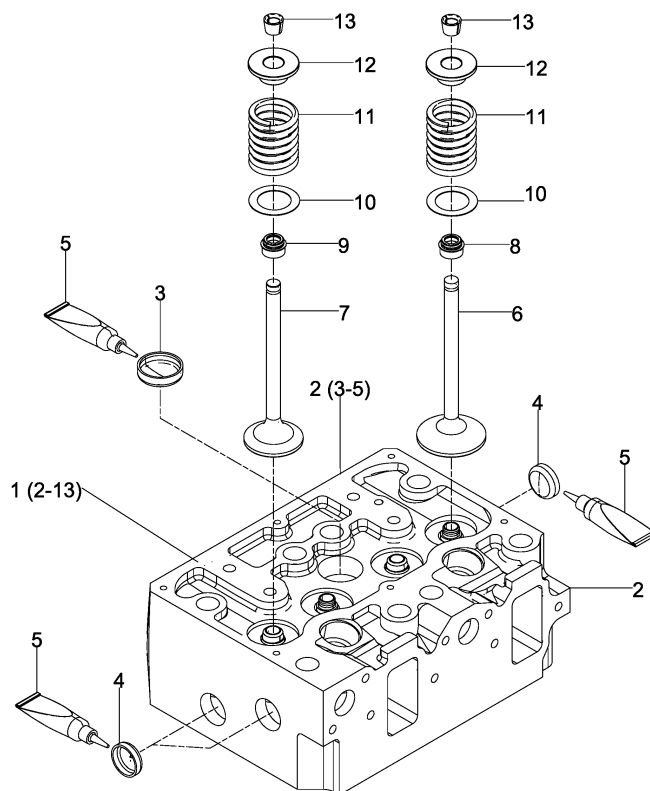
E 0836 LE202

#001002000092

PISTON CONNECTING ROD

1	51.02500-6216	STATIONARY ENGINE PISTON NORMAL ASSEMBLY 108 MM	6
1	-	FOR INDIVIDUAL PARTS SEE REFERENCE NUMBER	*
2	51.02400-6177	CONNECTING ROD	6
2	-	FOR INDIVIDUAL PARTS SEE REFERENCE NUMBER	*
3	51.02410-6679	CONROD BEARING ASSEMBLY	6
3	51.02410-6711	CONROD BEARING NORMAL 1 ASSEMBLY SPUTTERED	NB
3	51.02410-6712	CONROD BEARING REPAIR STAGE 1 = 0,25 MM ASSEMBLY SPUTTERED	NB
4	51.02500-6352	ENGINE PISTON KIT	NB

V-GR.: 51.#0010-0907



E 0836 LE202

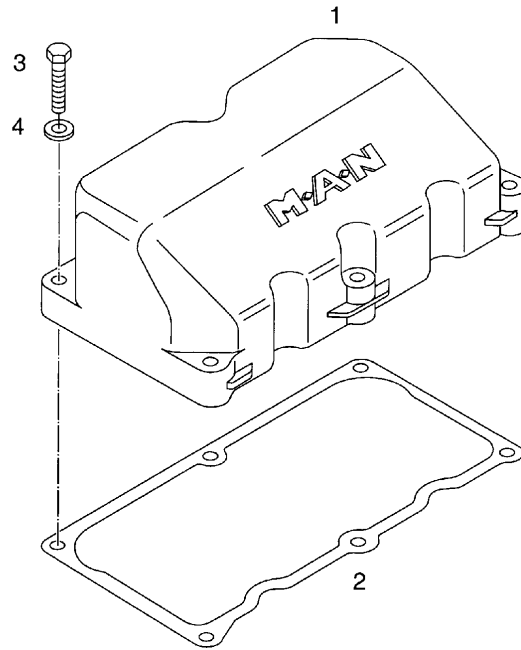
#001003000036

CYLINDER HEAD

1	51.03100-6298	CYLINDER HEAD ASSEMBLY	3
2	51.03101-5093	CYLINDER HEAD 130 HZ	3
3	51.91606-0105	COVER A32,3/10/1,25-X5CRNI1810	1
4	51.91606-0040	COVER A25,2/8-X5CRNI1810N	3
5	04.10160-9164	ADHESIVE 50 ML BOTTLE	NB
6	51.04101-0588	INTAKE VALVE	2
7	51.04101-0589	EXHAUST VALVE	2
8	51.04902-0029	SEAL - VALVE STEM D02/D08	2
9	51.04902-0029	SEAL - VALVE STEM D02/D08	2
10	51.90701-0174	WASHER 24X36X0,5-CK67V-ZNPHR3F	4
11	51.04102-0152	SPRING - VALVE	4
12	51.04103-0081	VALVE SPRING DISC	4
13	51.04104-0024	VALVE COTTER	8

V-GR.: 51.#0010-0907

03-8055



E 0836 LE202

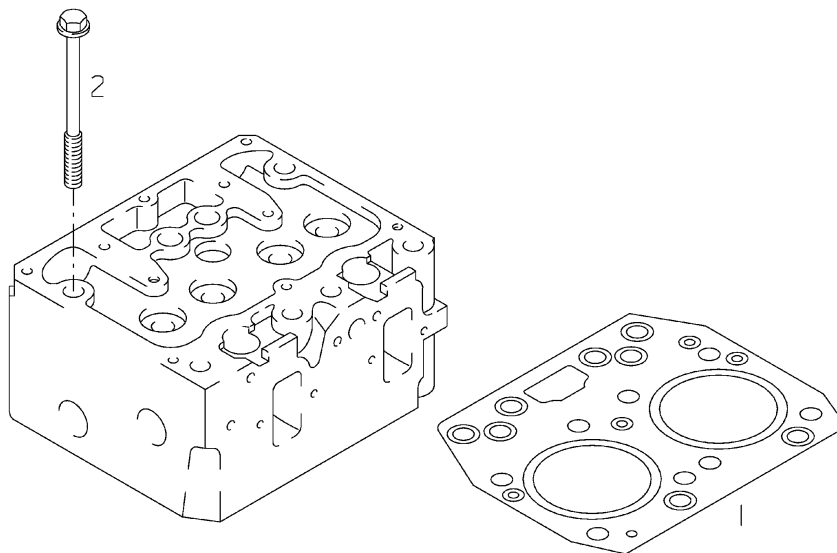
#001003000900

CYLINDER HEAD COVER

1	51.03401-0142	CYLINDER HEAD COVER	3
2	51.03905-0155	CYLINDER HEAD COVER GASKET	3
3	06.03222-0408	EXTERNAL HEX ROUND BOLT BM6X35-10.9-MAN183-PHR WITH LARGE FLANGE	18

V-GR.: 51.#0010-0907

03-9035



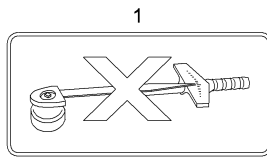
E 0836 LE202

#001003000320

CYLINDER HEAD GASKET CYLINDER HEAD BOLT

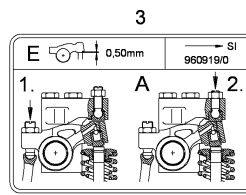
1	51.03901-0379	CYLINDER HEAD GASKET	3
1	51.03901-0391	CYLINDER HEAD GASKET	3
2	51.90020-0381	EXTERNAL HEX ROUND BOLT M14X2X140-1200N/MM2-E18-ZNPHR3	24

V-GR.: 51.#0010-0907



2

Ventilspiel
Einlass 0,5mm
Auslass 0,5mm



4

Ventilspiel / Valve Lash
Einlass / Intake 0,5mm
Auslass / Exhaust 0,6mm

5

Ventilspiel
Einlass 0,6mm
Auslass 0,6mm



8

ACHTUNG/ATTENTION
NUR SYNTHETIC MOTORENÖL NACH
MAN-NORM M3277 VERWENDEN!
USE ONLY SYNTHETIC ENGINE OIL
ACCORDING MAN STANDARD M3277



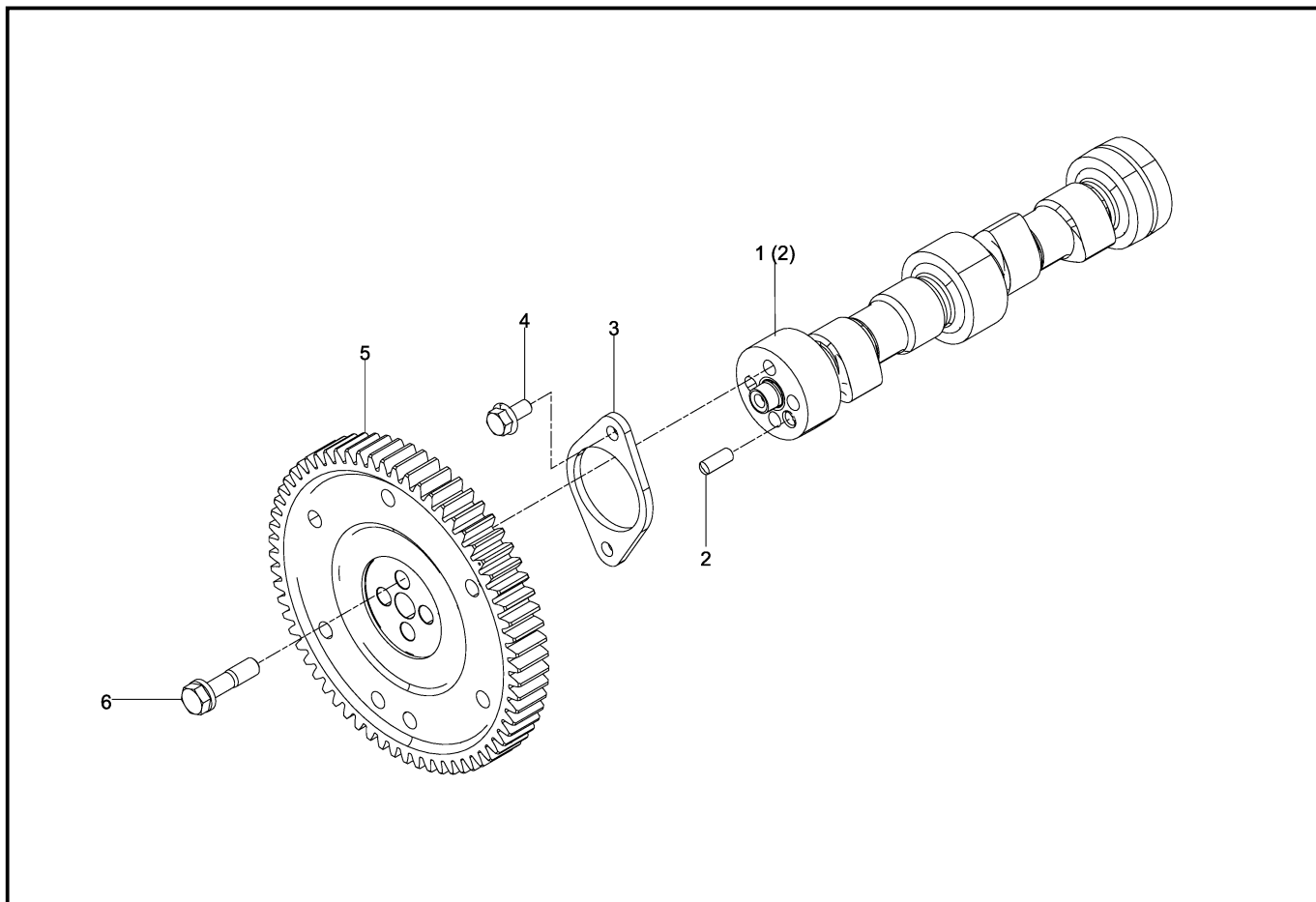
E 0836 LE202

#001003000083

INSTRUCTION PLATES

1	51.97801-0150	INSTRUCTION PLATE	1
2	-	DELETED	*
3	-	DELETED	*
4	-	DELETED	*
5	-	DELETED	*
6	-	DELETED	*
7	-	DELETED	*
8	-	DELETED	*
9	-	DELETED	*

V-GR.: 51.#0010-0907



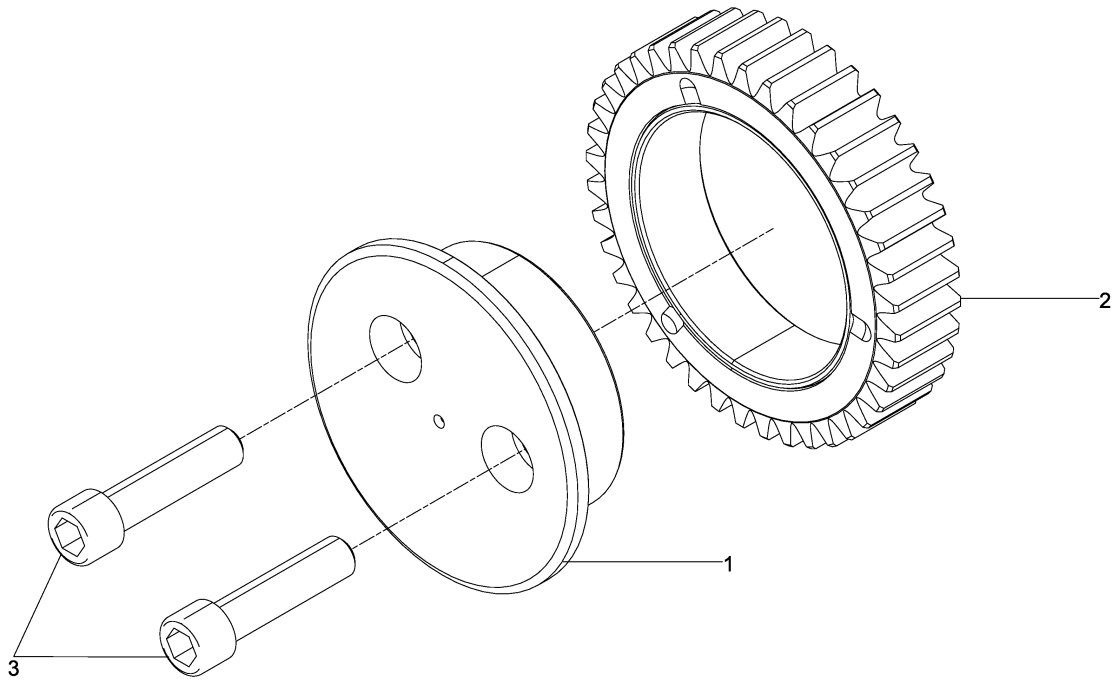
E 0836 LE202

#017004000014

CAMSHAFT

1	51.04401-6371	CAMSHAFT ASSEMBLY	1
2	06.22022-1011	DOWEL PIN 8M6X18-ST50-2K	1
3	51.98112-0240	FLANGE	1
4	06.03216-8303	HEX FLANGE BOLT M8X16-10.9-MAN183-B1	2
5	51.04501-0198	CAMSHAFT GEAR	1
6	51.90020-0300	HEX COLLAR BOLT M10X1,25X38-10.9	4

V-GR.: 51.#0170-0289



E 0836 LE202

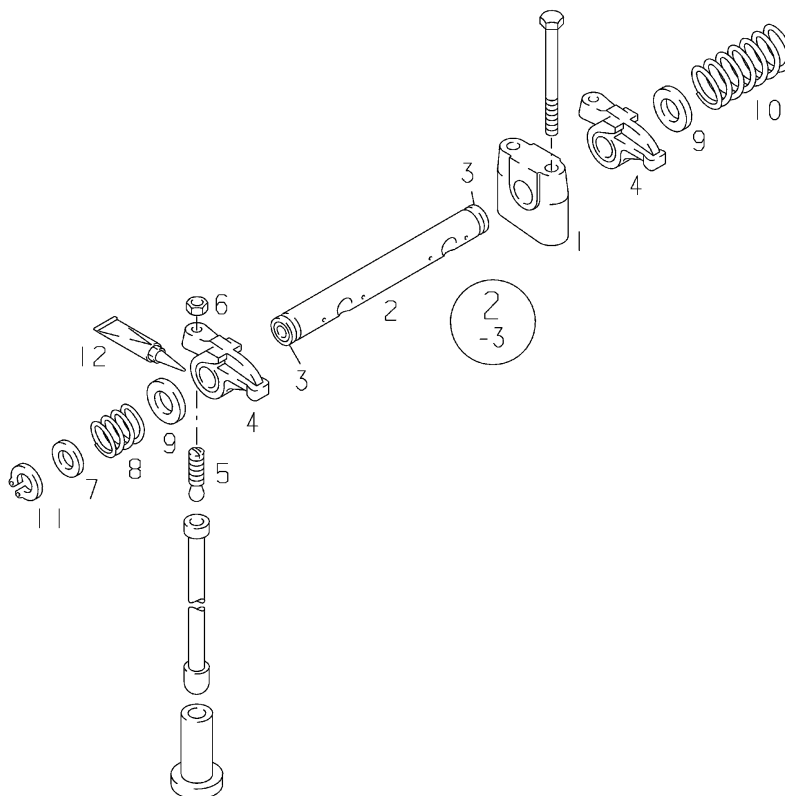
#001004000077

INTERMEDIATE GEAR 1 GEAR STUD

1	51.04506-0090	GEAR STUD	1
2	51.04505-5118	INTERMEDIATE GEAR	1
3	06.02191-0614	CYLINDER SCREW M12X50-10.9-MAN183-PHR	2

V-GR.: 51.#0010-0907

04-9040



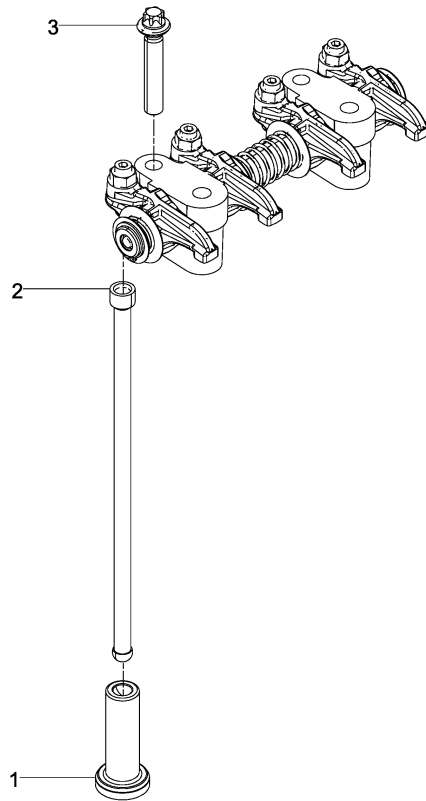
E 0836 LE202

#001004050003

ROCKER ARM VALVE TAPPET PUSH ROD

1	51.04202-0086	ROCKER BRACKET	6
2	51.04203-5058	ROCKER SHAFT ASSEMBLY	3
3	06.21641-2608	PLUG 10	6
4	51.04201-6173	ROCKER ARM	12
5	51.04205-0039	ADJUSTING SCREW M10X1X37-A-CQ45-SW5 WITH HEXAGON SOCKET	12
6	51.90501-0030	HEXAGON NUT M10X1-7-8-SW14	12
7	51.90701-0103	WASHER 20,3X30X0,5-CK67V-ZNPHR3F	6
8	51.97601-0196	PRESSURE SPRING 2X23X9-FST	6
9	51.90701-0213	WASHER 20X37X0,5-CK67V	12
10	51.97601-0195	PRESSURE SPRING 2X23X72-FST	3
11	06.29010-0117	CIRCLIP 20X1,20-ZNPHR5F	6
12	09.16012-0117	ASSEMBLY PASTE 100 G TUBE	NB

V-GR.: 51.#0010-0907



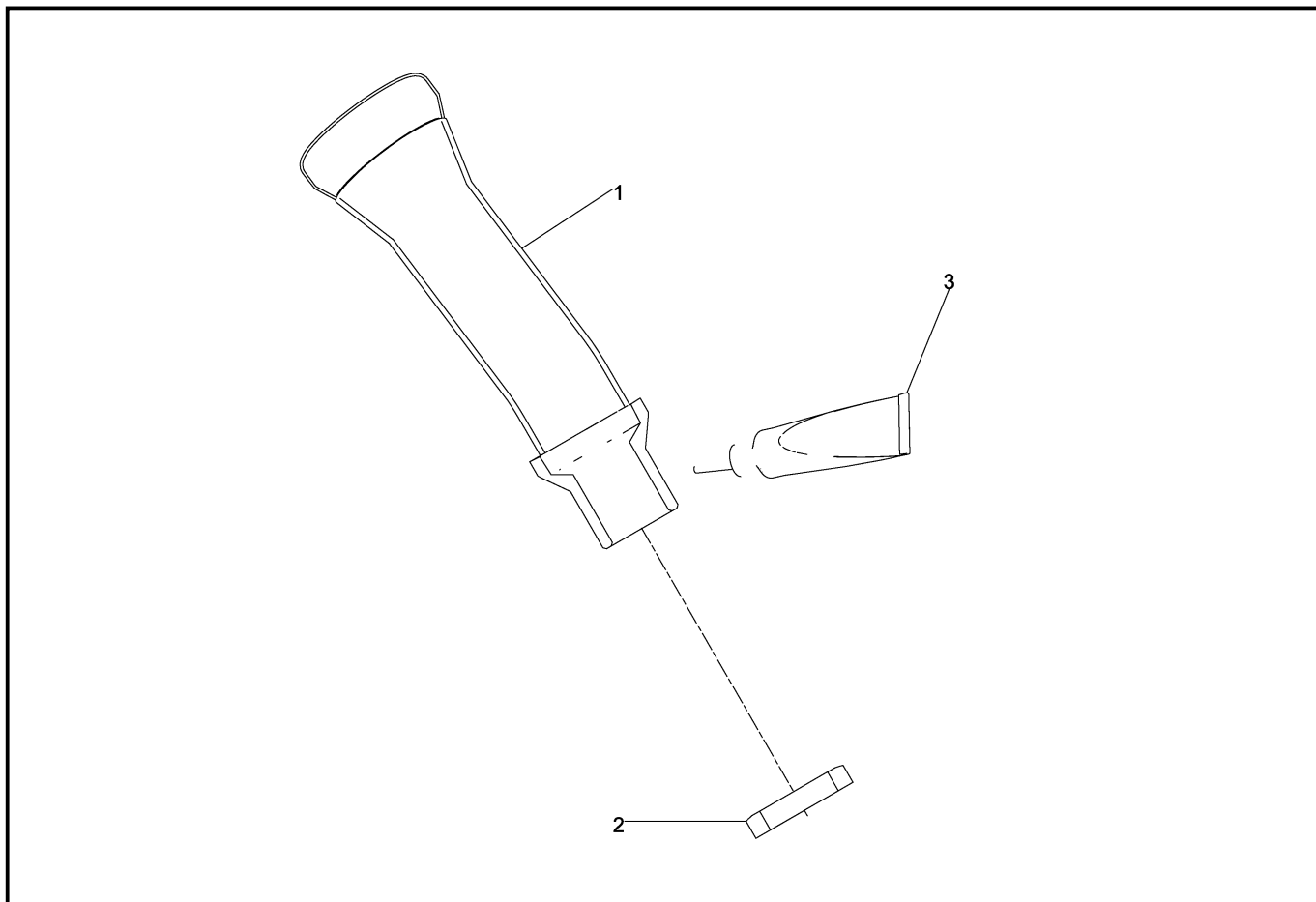
E 0836 LE202

#001004000022

VALVE TAPPET PUSH ROD MOUNTING ROCKER ARM MECHANISM

1	51.04301-0131	VALVE TAPPET	12
2	51.04302-0038	PUSH ROD	12
3	51.90490-0019	EXTERNAL HEX ROUND BOLT M10X65-10.9-E12	12

V-GR.: 51.#0010-0907



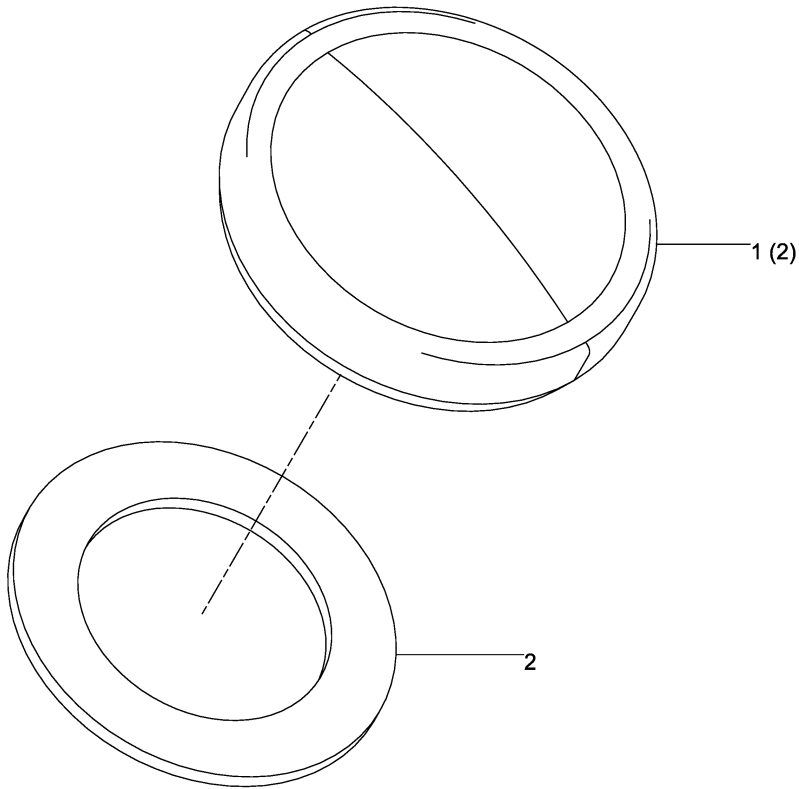
E 0836 LE202

#038005002020

OIL FILLER

1	51.05807-5043	OIL FILLER PIPE 38X2-ST35NBK	1
2	51.90501-0055	HEXAGON NUT M32X1,5-8-9SMNPB28K-SW36	1
3	04.10160-9164	ADHESIVE 50 ML BOTTLE	NB

V-GR.: 51.#0380-0793



E 0836 LE202

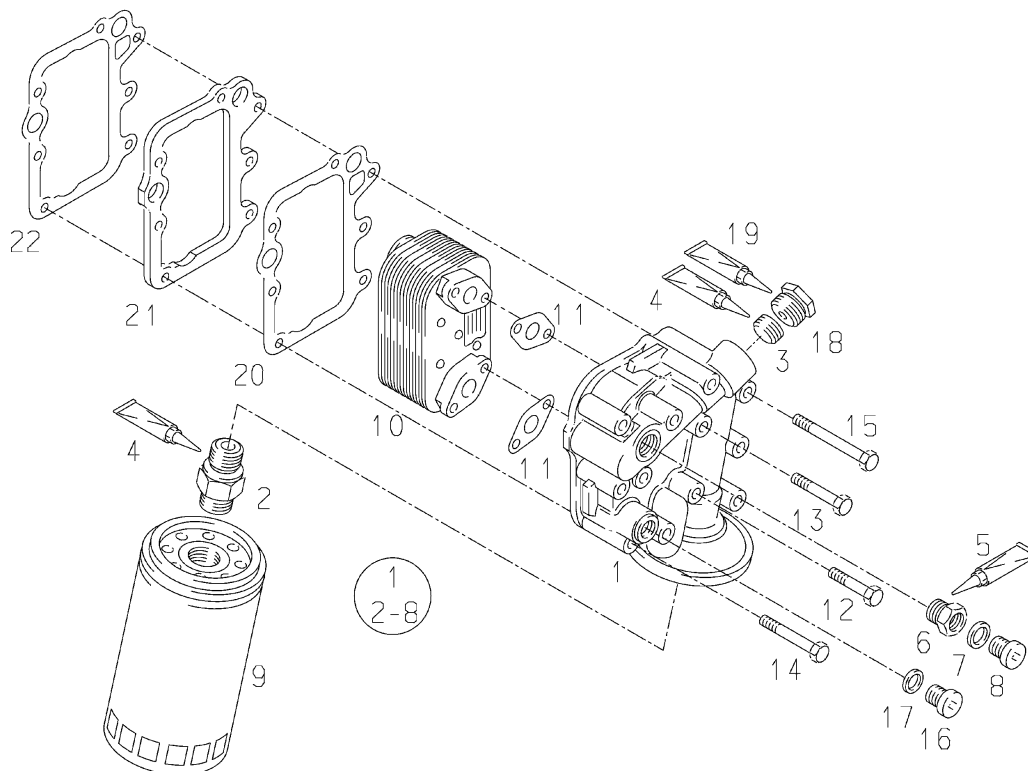
#038005001010

OIL FILLER COVER

1	81.12210-0007	BAYONET CAP 40	1
2	51.96601-0313	SEAL 38X57X3-NBR-70	1

V-GR.: 51.#0380-0793

05-9517



E 0836 LE202

#012005000052

OIL FILTER OIL COOLER

1	51.05503-6106	OIL FILTER HEAD ASSEMBLY	1
2	51.98130-0267	THREADED PIECE	1
-	51.98130-0141	PLUG	1
3	06.08042-0608	DRAIN PLUG M24X1,5-ST-A3C	1
4	04.10160-9164	ADHESIVE 50 ML BOTTLE	1
5	04.10160-9164	ADHESIVE 50 ML BOTTLE	1
6	51.98130-0422	THREADED UNION M24X1,5-M18X1,5-9SMNPB28K	1
7	06.56631-0237	SEAL 18,3X26X1,5-ST/FKM1-80 WITH ELASTOMER LIP	1
8	06.08042-0605	DRAIN PLUG M18X1,5-ST-A3C	1
9	51.05501-7160	DISPOSABLE ENGINE OIL FILTER	1
10	51.05601-0084	OIL COOLER WATER COOLED	1
11	51.96601-0373	GASKET 20X44X9X0,5-AFQ1 ASBESTOS-FREE	2
12	06.03216-8309	HEX FLANGE BOLT M8X45-10.9-MAN183-B1	2
13	06.03216-8311	HEX FLANGE BOLT M8X55-10.9-MAN183-B1	2
14	06.03216-8314	HEX FLANGE BOLT M8X70-10.9-MAN183-B1	3
15	06.03216-8317	HEX FLANGE BOLT M8X100-10.9-MAN183-B1	4
16	06.08092-0146	DRAIN PLUG AM18X1,5-ST-A3C	1
17	06.56631-0237	SEAL 18,3X26X1,5-ST/FKM1-80 WITH ELASTOMER LIP	1
18	51.98130-0247	THREADED UNION M30X1,5-M18X1,5-9SMNPB28K	1

V-GR.: 51.#0120-0305

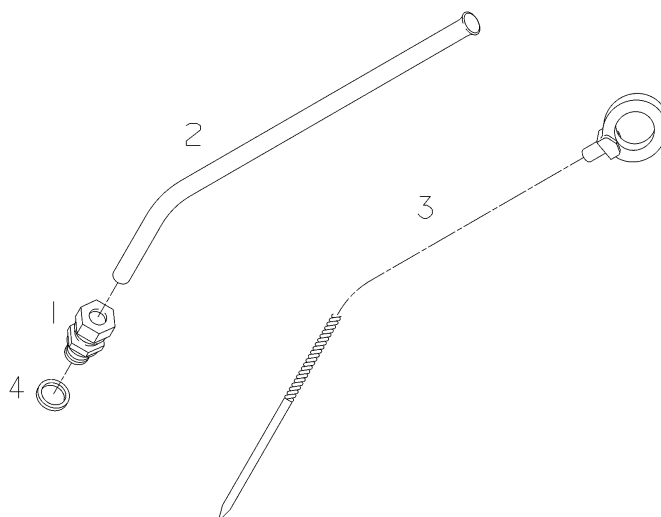
5072832 000001 / 10.2016



E 0836 LE202			#012005000052
19	04.10160-9164	ADHESIVE 50 ML BOTTLE	1
20	51.05901-0139	GASKET OIL FILTER HEAD	1
21	51.05640-0037	INTERMEDIATE FLANGE	1
22	51.05901-0139	GASKET OIL FILTER HEAD	1

V-GR.: 51.#0120-0305

05-9284/A



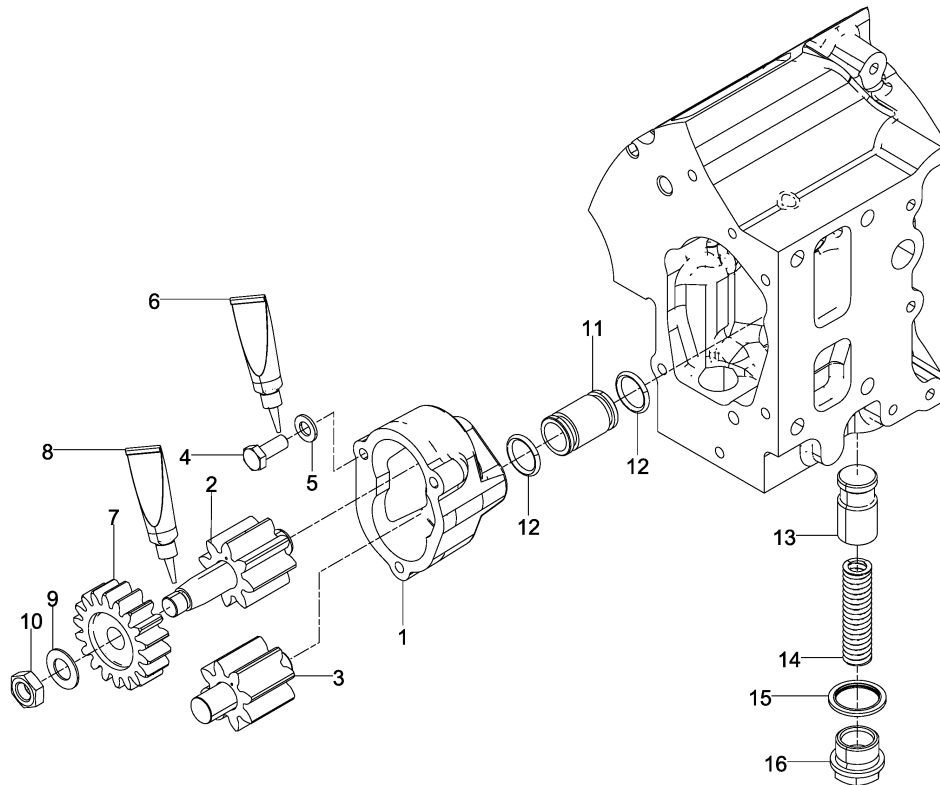
E 0836 LE202

#038005000059

OIL MEASUREMENT

1	51.98130-0579	STRAIGHT UNION M14X1,5-NW10	1
2	51.05806-5192	GUIDE TUBE	1
3	51.05805-5728	OIL DIPSTICK	1
4	06.56631-0235	SEAL 14,3X22X1,5-ST/FKM1-80 WITH ELASTOMER LIP	1

V-GR.: 51.#0380-0650



E 0836 LE202

#013005000166

OIL PUMP

1	51.05102-0101	BODY, OIL PUMP	1
2	51.05104-6195	GEAR - OIL PUMP WITH ASSEMBLY DRIVE SHAFT	1
3	51.05104-6196	GEAR - OIL PUMP WITH ASSEMBLY SHAFT	1
4	06.01284-5113	HEXAGON SCREW M8X20-10.9-MAN183-B1	3
5	06.15015-0411	WASHER 8X16X1,6-300HV-MAN183-B1	3
6	04.90300-9025	ADHESIVE 250 ML LOCKING COMPOUND BOTTLE	NB
7	51.05201-0099	DRIVE GEAR	1
8	04.10160-9164	ADHESIVE 50 ML BOTTLE	NB
9	06.16049-0024	SPRING WASHER B12-FST-MAN183-B1	1
10	06.11271-6405	HEXAGON NUT BM12X1,5-04-MAN183-B1	1
11	51.05207-0010	COUPLING SLEEVE	1
12	06.56333-4245	O-RING 19X3B-FPM1-70-GN	2
13	51.05410-0056	VALVE PLUNGER NORMAL PRESSURE RELIEF VALVE	1
13	51.05410-0057	VALVE PLUNGER NORMAL 1 PRESSURE RELIEF VALVE OVERSIZE DIAMETER 0.50 MM	NB
-	51.05410-6002	PRESSURE RELIEF VALVE VERSION FOR REPAIRS	NB
-	-	FOR INDIVIDUAL PARTS SEE PLATE AND/OR REFERENCE NUMBER	*
14	51.97601-0226	PRESSURE SPRING 2,8X13,2X78-VFST	1

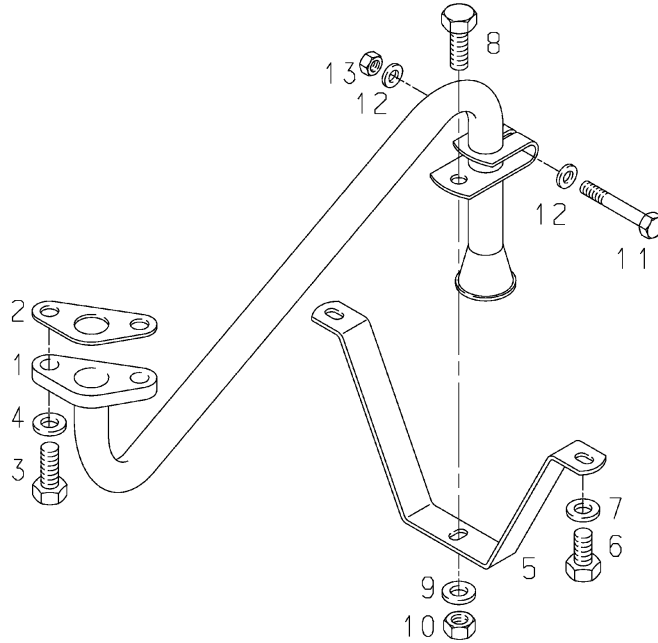
V-GR.: 51.#0130-0632



E 0836 LE202			#013005000166
15	06.56631-0111	SEAL 24,7X32X2-ST/FPM1-80 WITH ELASTOMER LIP	1
16	51.90310-0153	DRAIN PLUG M24X1,5X14-ST	1

V-GR.: 51.#0130-0632

05-9435



E 0836 LE202

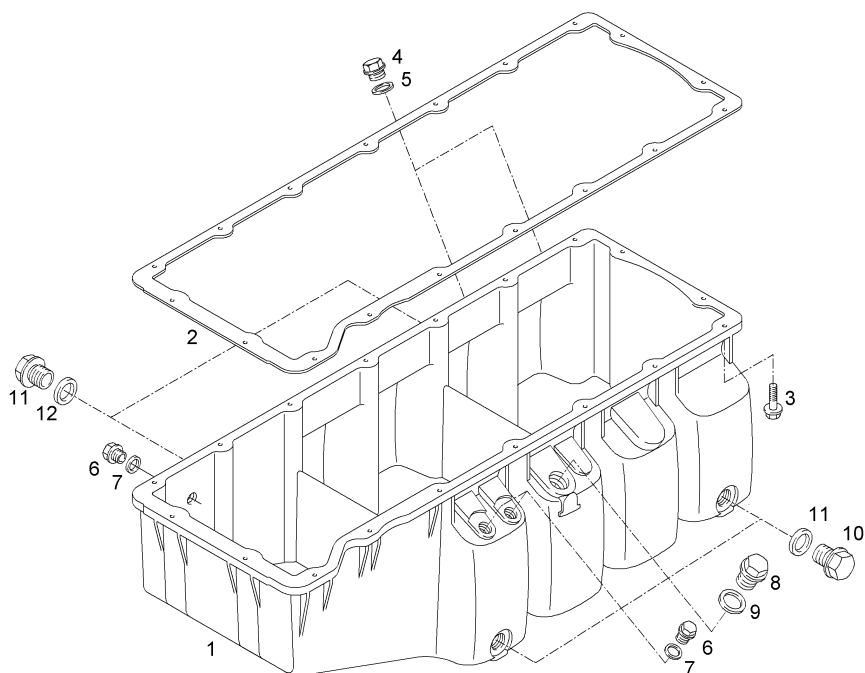
#013005010004

OIL SUCTION LINE

1	51.05703-5326	OIL SUCTION LINE	1
2	51.05903-0024	GASKET ASBESTOS-FREE OIL SUCTION LINE	1
3	06.03215-8304	HEX FLANGE BOLT M8X20-8.8-MAN183-B1	2
4	-	DELETED	*
5	51.05740-0075	BRACKET	1
6	06.03215-8304	HEX FLANGE BOLT M8X20-8.8-MAN183-B1	2
7	51.90710-0080	SPACER 9X19X4-9SMNPB28K	2
8	06.03215-8304	HEX FLANGE BOLT M8X20-8.8-MAN183-B1	1
9	51.90710-0080	SPACER 9X19X4-9SMNPB28K	1
10	06.11240-0404	HEX LOCK NUT BM8-8-MAN183-B1	1
11	06.03215-8210	HEX FLANGE BOLT M6X50-8.8-MAN183-B1	1
12	06.15013-0409	WASHER 6X12X1,6-200HV-MAN183-B1	1
13	06.11240-0303	HEX LOCK NUT AM6-8-MAN183-B1	1

V-GR.: 51.#0130-0632

05-8546



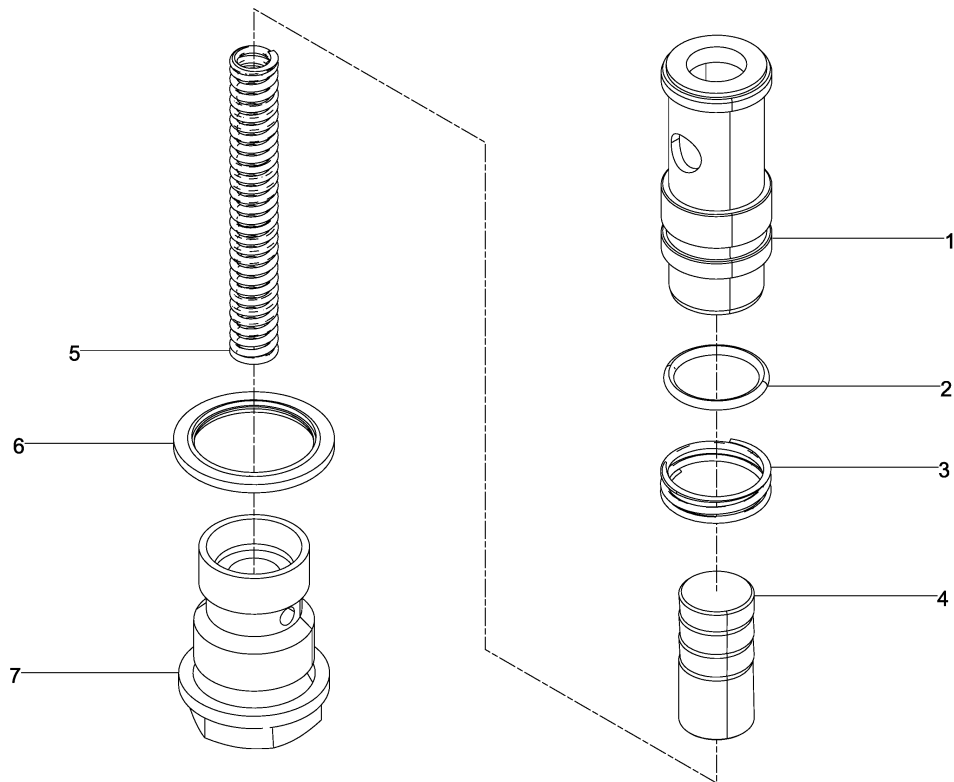
E 0836 LE202

#013005001340

OIL SUMP

1	51.05801-5674	OIL SUMP ASSEMBLY	1
2	51.05904-0139	OIL SUMP SEAL ASBESTOS-FREE	1
3	06.03216-8306	HEX FLANGE BOLT M8X30-10.9-MAN183-B1	18
4	06.08042-0208	DRAIN PLUG M24X1,5-ST-ZNPHR3F	1
5	06.56631-0111	SEAL 24,7X32X2-ST/FPM1-80 WITH ELASTOMER LIP	1
6	06.08092-0144	DRAIN PLUG AM14X1,5-ST-A3C	3
7	06.56631-0235	SEAL 14,3X22X1,5-ST/FKM1-80 WITH ELASTOMER LIP	3
8	51.90310-0259	DRAIN PLUG M32X1,5X22-ST-MAN183-B1	1
9	06.56631-0126	SEAL 32,7X40X2,0-ST/FPM1-80 WITH ELASTOMER LIP	1
10	51.90310-0198	DRAIN PLUG M18X1,5X14-9SMNPB28K-SW17	4
11	06.56631-0237	SEAL 18,3X26X1,5-ST/FKM1-80 WITH ELASTOMER LIP	4

V-GR.: 51.#0130-0632



E 0836 LE202

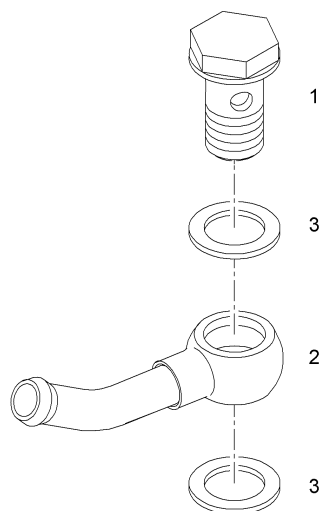
B05410500001

PRESSURE RELIEF VALVE VERSION FOR REPAIRS COMPONENTS

1	51.05410-0054	BUSH FOR VALVE PLUNGER	1
2	06.56936-0893	O-RING 17X2N-FPM1-70-GN	1
3	51.97601-0302	PRESSURE SPRING	1
4	51.05410-0055	VALVE PLUNGER PRESSURE RELIEF VALVE	1
5	51.97601-0301	PRESSURE SPRING 1,8X8,2X74-FST	1
6	06.56631-0111	SEAL 24,7X32X2-ST/FPM1-80 WITH ELASTOMER LIP	1
7	51.90310-0255	DRAIN PLUG	1

V-GR.: 51.05410-6002

06-8811



E 0836 LE202

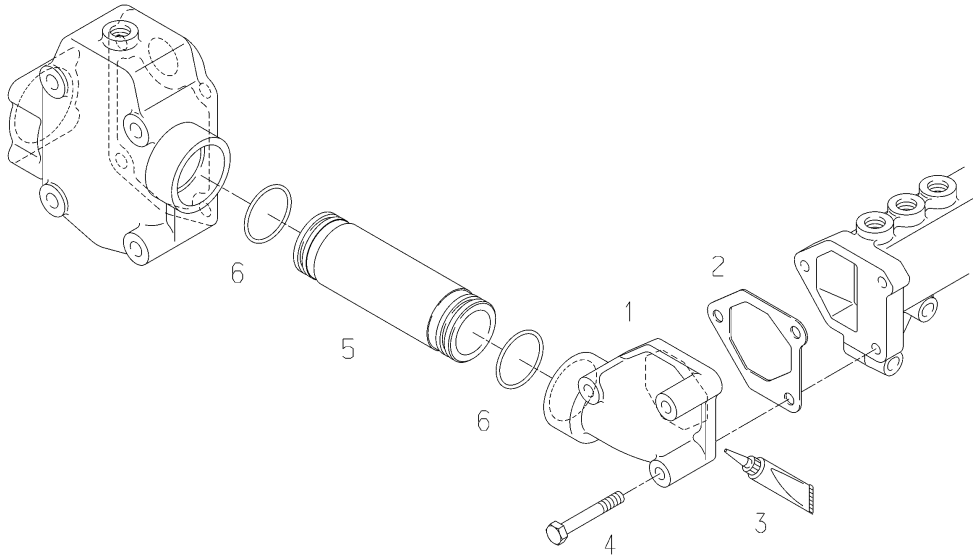
#042006000230

COOLANT BLEEDER PIPE

1	51.98150-0175	HOLLOW SCREW M14X1,5X26E-ST-SW19-P3A	1
2	51.98103-0083	DRIVE-IN NIPPLE BR8/10-ST-A3C	1
3	06.56631-0235	SEAL 14,3X22X1,5-ST/FKM1-80 WITH ELASTOMER LIP	2

V-GR.: 51.#0420-0077

06-9564



E 0836 LE202

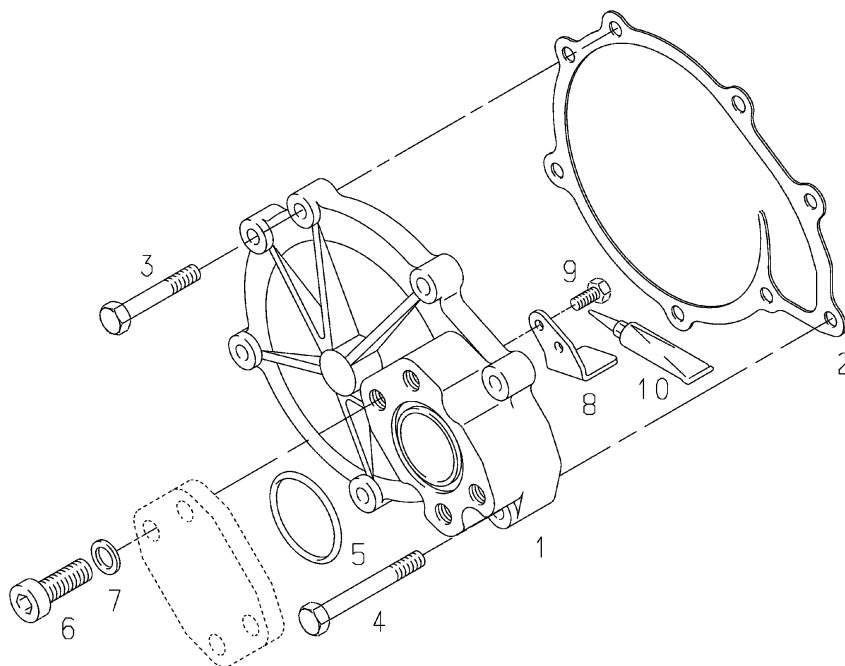
#042006040001

COOLANT ELBOW

1	51.06302-0442	COOLANT ELBOW	1
2	51.06904-0023	THERMOSTAT SEAL ASBESTOS-FREE	1
3	04.90300-9030	SEALANT 75 ML TUBE	1
4	06.01013-7117	HEX SHOULDER STUD M8X60-8.8-MAN183-B1	3
5	51.98182-0010	EXTENSION TUBE	1
6	06.56936-1865	O-RING 39X3N-FPM1-70-GN	2

V-GR.: 51.#0420-0077

06-9752



E 0836 LE202

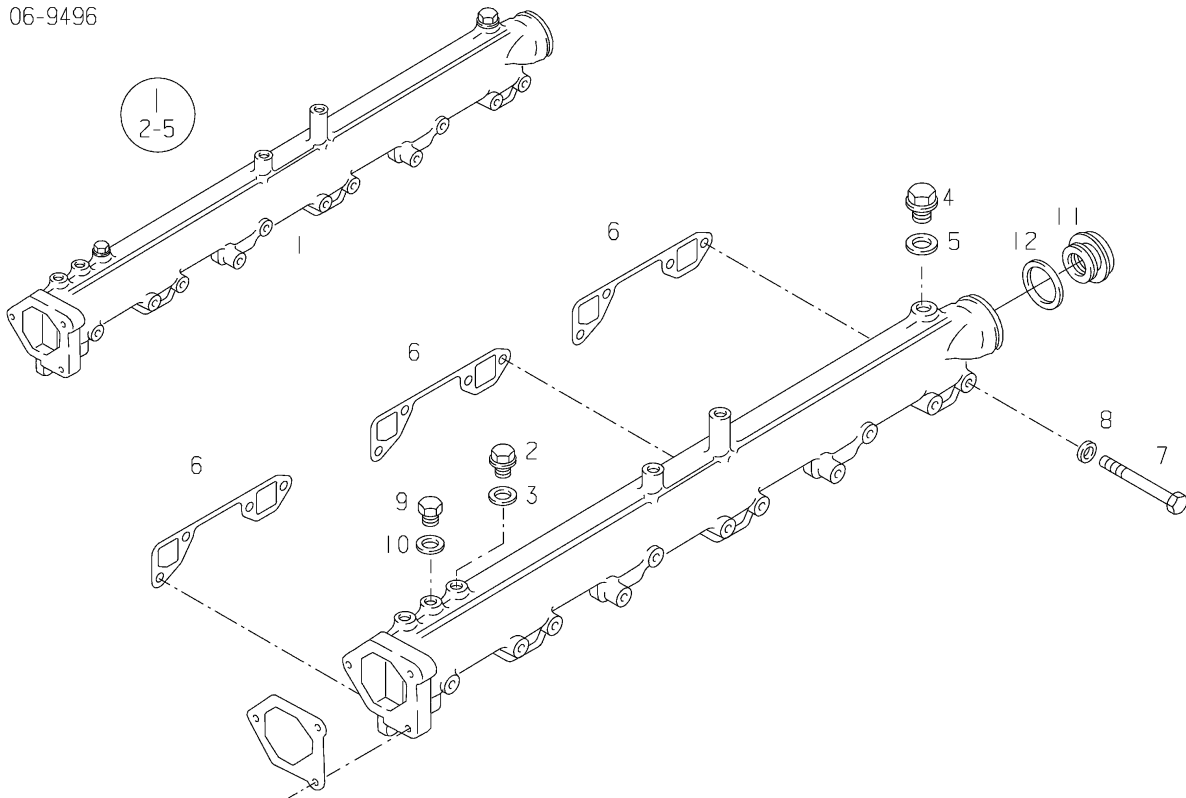
#047006000084

COOLING WATER INLET

1	51.06302-0618	INTERMEDIATE HOUSING	1
2	51.06901-0196	COOLANT PUMP SEAL	1
3	06.03216-8314	HEX FLANGE BOLT M8X70-10.9-MAN183-B1	5
4	06.03216-8317	HEX FLANGE BOLT M8X100-10.9-MAN183-B1	3
5	06.56937-2168	O-RING 48X4N-FPM2-70	1
6	06.02099-0198	CYLINDER SCREW M12X35-8.8-A3C	4
8	51.06340-0229	SHEET METAL	1
9	06.01283-2910	HEXAGON SCREW M6X12-8.8-MAN183-A2C	2

V-GR.: 51.#0470-0614

06-9496



E 0836 LE202

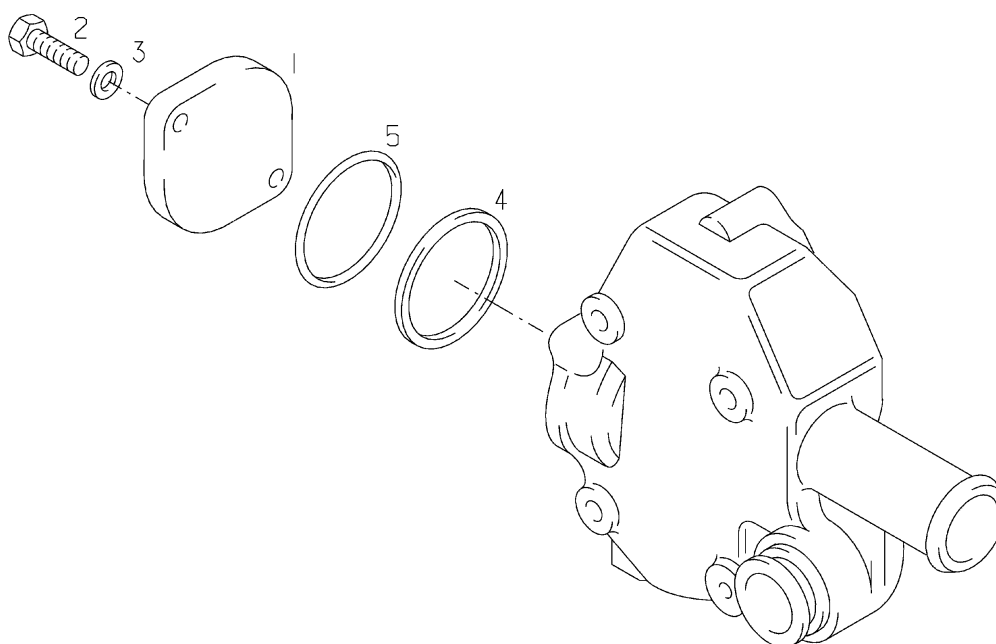
#042006020007

COOLING WATER PIPE

1	51.06301-6048	COOLING WATER PIPE ASSEMBLY	1
2	06.08092-0144	DRAIN PLUG AM14X1,5-ST-A3C	1
3	06.56631-0235	SEAL 14,3X22X1,5-ST/FKM1-80 WITH ELASTOMER LIP	1
4	06.08092-0145	DRAIN PLUG AM16X1,5-ST-A3C	1
6	51.06903-0030	COOLANT PIPE SEAL ASBESTOS-FREE	3
7	06.03216-8310	HEX FLANGE BOLT M8X50-10.9-MAN183-B1	12
8	06.15013-0411	WASHER 8X16X1,6-200HV-MAN183-B1	12
10	06.56631-0235	SEAL 14,3X22X1,5-ST/FKM1-80 WITH ELASTOMER LIP	1
11	06.08042-0616	DRAIN PLUG M38X1,5-ST-A3C	1
12	06.56200-0701	SEAL A38X44-CU	1

V-GR.: 51.#0420-0077

06-9498



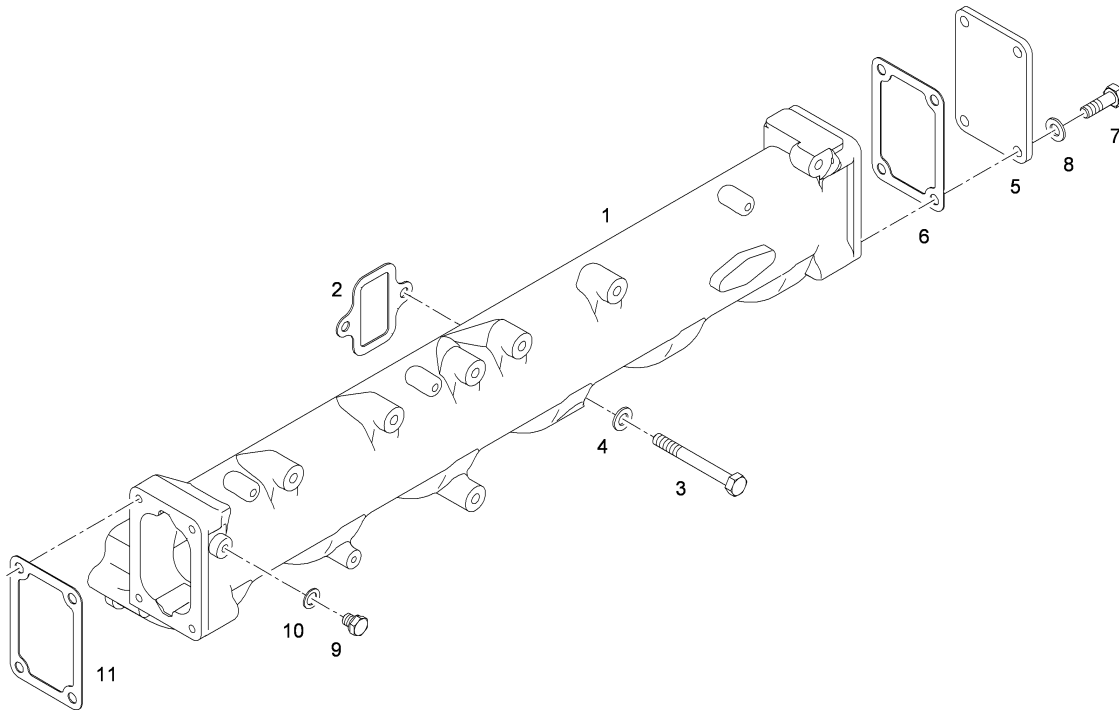
E 0836 LE202

#046006020001

THERMOSTAT HOUSING COVER

1	51.98112-0291	FLANGE	1
2	06.01283-3115	HEXAGON SCREW M8X25-8.8-A2C	4
3	06.15013-0411	WASHER 8X16X1,6-200HV-MAN183-B1	4
4	-	DELETED	*
5	06.56937-2168	O-RING 48X4N-FPM2-70	1

V-GR.: 51.#0460-0104



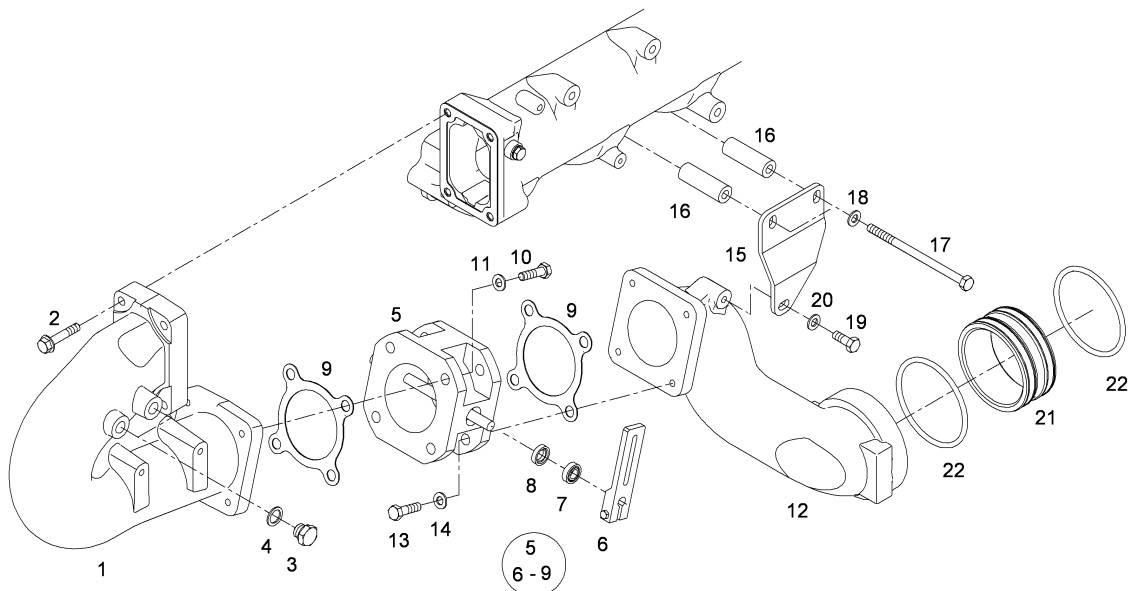
E 0836 LE202

#011008000088

CHARGE MIXING SYSTEM AIR DISTRIBUTOR PIPE

1	51.08201-0380	DISTRIBUTION PIPE MIXTURE INTAKE	1
2	51.08902-0179	INTAKE PIPE SEAL ASBESTOS-FREE	6
3	06.01013-3119	HEX SHOULDER STUD M8X70-8.8-MAN183-A2C	10
4	06.15013-0411	WASHER 8X16X1,6-200HV-MAN183-B1	10
5	51.08203-0019	COVER	1
6	51.08902-0139	INTAKE PIPE SEAL ASBESTOS-FREE	1
7	06.01283-3115	HEXAGON SCREW M8X25-8.8-A2C	4
8	06.15013-0411	WASHER 8X16X1,6-200HV-MAN183-B1	4
9	06.08092-2141	DRAIN PLUG CM8X1-ST-A3C	1
10	06.56631-0232	SEAL 8,3X14X1-ST/FKM1-80 WITH ELASTOMER LIP	1
11	51.08902-0139	INTAKE PIPE SEAL ASBESTOS-FREE	1

V-GR.: 51.#0110-0754



E 0836 LE202

#011008000091

CHARGE MIXING SYSTEM ELBOW THROTTLE VALVE

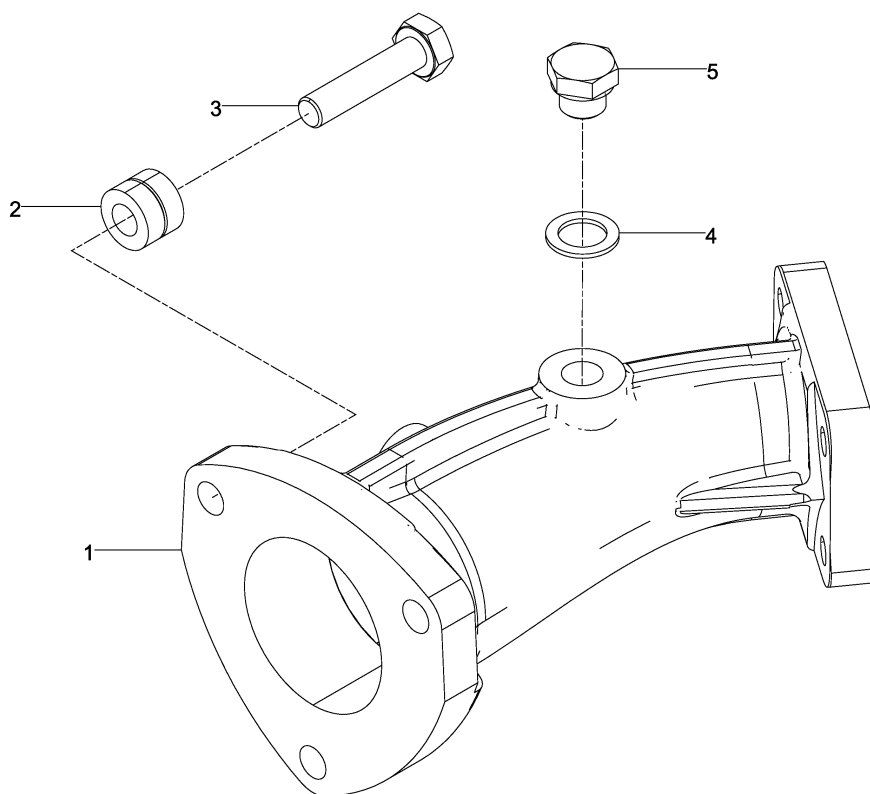
1	51.09411-0846	INTERCOOLER ELBOW CHARGE MIXING SYSTEM	1
2	06.03216-8308	HEX FLANGE BOLT M8X40-10.9-MAN183-B1	4
3	06.08092-0144	DRAIN PLUG AM14X1,5-ST-A3C	2
4	06.56190-0706	SEAL A14X20-CU	2
5	51.13105-6007	THROTTLE VALVE FOR CHARGE MIXING SYSTEM	1
6	-	LEVER FOR THROTTLE VALVE	1
7	51.93410-0155	SUPPORT	1
8	51.96501-0660	RADIAL SHAFT SEAL	2
9	51.96601-0610	GASKET	2
10	06.01283-3117	HEXAGON SCREW M8X30-8.8-A2C	4
11	06.15013-0411	WASHER 8X16X1,6-200HV-MAN183-B1	4
12	51.09411-0533	INTERCOOLER ELBOW CHARGE MIXING SYSTEM	1
13	06.01283-3117	HEXAGON SCREW M8X30-8.8-A2C	4
14	06.15013-0411	WASHER 8X16X1,6-200HV-MAN183-B1	4
15	51.09440-0092	BRACKET FOR CHARGE-AIR PIPE	1
16	51.91701-0592	BUSH 9X18X55-ST35NBK	2
17	06.01013-7128	HEX SHOULDER STUD M8X130-8.8-MAN183-B1	2
18	06.15013-0411	WASHER 8X16X1,6-200HV-MAN183-B1	2
19	06.01283-5114	HEXAGON SCREW M8X22-8.8-MAN183-B1	1
20	06.15013-0411	WASHER 8X16X1,6-200HV-MAN183-B1	1

V-GR.: 51.#0110-0754



E 0836 LE202			#011008000091
21	51.98182-0059	EXTENSION TUBE FOR CHARGE AIR SYSTEM	1
22	06.56936-3004	O-RING 86X5N-FPM1-70-GN	2

V-GR.: 51.#0110-0754



E 0836 LE202

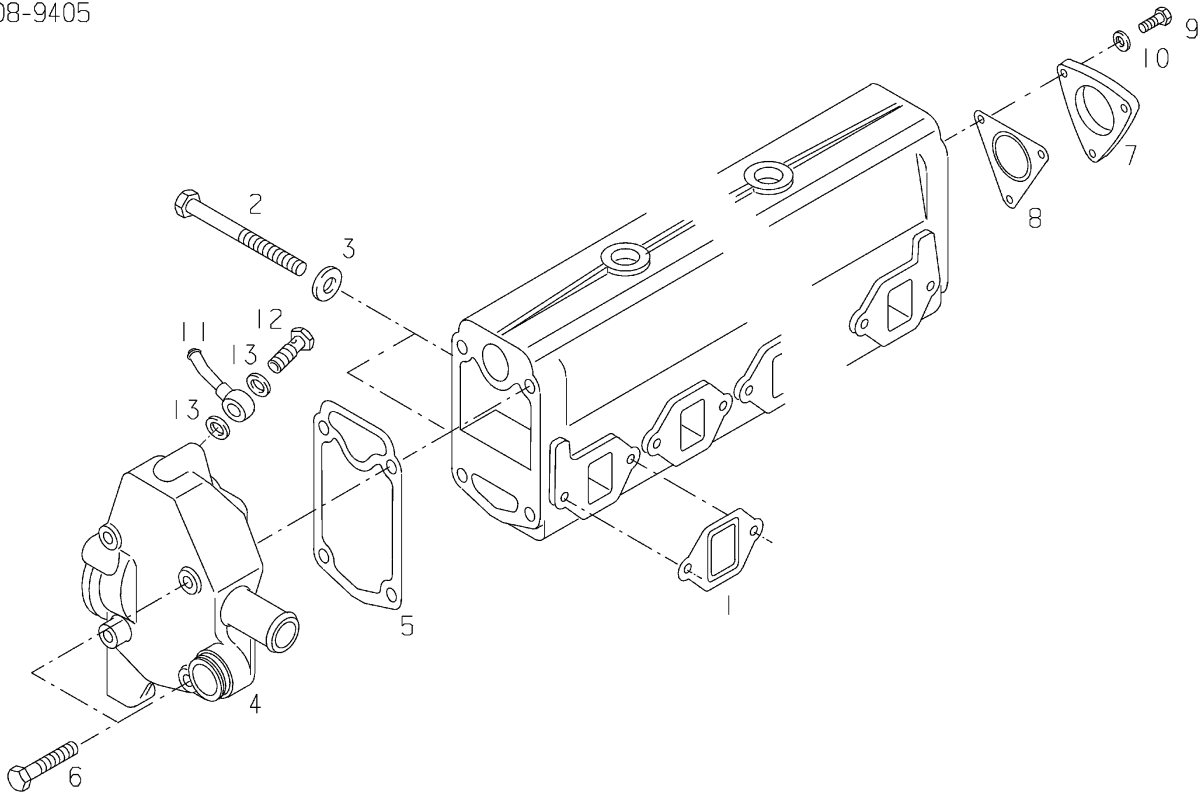
#016008000328

EXHAUST ELBOW

1	51.08102-0609	EXHAUST ELBOW	1
2	51.91701-0949	BUSH 10,5X20X15-21CRMV57V-WARMFEST	3
3	51.90001-0127	HEX SHOULDER STUD M10X45-GA-WARMFEST	3
4	06.56631-0235	SEAL 14,3X22X1,5-ST/FKM1-80 WITH ELASTOMER LIP	1
5	06.08099-0024	DRAIN PLUG AM14X1,5-1.4841-C3J	1
-	51.08120-0434	INSULATING MAT PROTECTION AGAINST CHAFING	NB

V-GR.: 51.#0160-0465

08-9405



E 0836 LE202

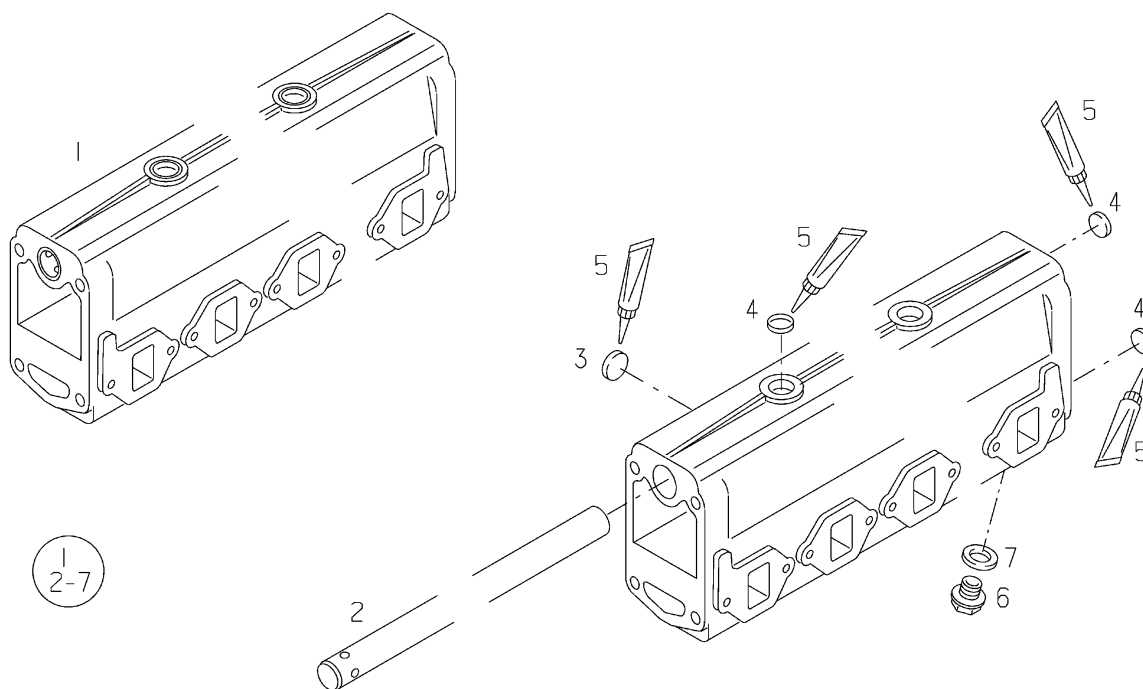
#016008060007

EXHAUST MANIFOLD MOUNTING PARTS

1	51.08901-0027	EXHAUST MANIFOLD SEAL ASBESTOS-FREE	6
2	06.03229-0003	EXTERNAL HEX ROUND BOLT M10X133-8.8-E14-ZNPHR3F	12
3	06.15013-0412	WASHER 10X20X2-200HV-MAN183-B1	12
4	51.08101-0895	INTERMEDIATE HOUSING	1
5	51.08901-0095	EXHAUST MANIFOLD SEAL ASBESTOS-FREE	1
6	06.01289-0153	HEXAGON SCREW M10X80-8.8-MAN183-A3C	4
7	50.98112-2407	FLANGE	1
8	51.96601-0531	GASKET ASBESTOS-FREE	1
9	06.01283-5217	HEXAGON SCREW M10X30-8.8-MAN183-B1	3
10	06.15013-0412	WASHER 10X20X2-200HV-MAN183-B1	3
11	51.98103-0083	DRIVE-IN NIPPLE BR8/10-ST-A3C	1
12	51.98150-0175	HOLLOW SCREW M14X1,5X26E-ST-SW19-P3A	1
13	06.56631-0235	SEAL 14,3X22X1,5-ST/FKM1-80 WITH ELASTOMER LIP	2

V-GR.: 51.#0160-0465

08-9402



E 0836 LE202

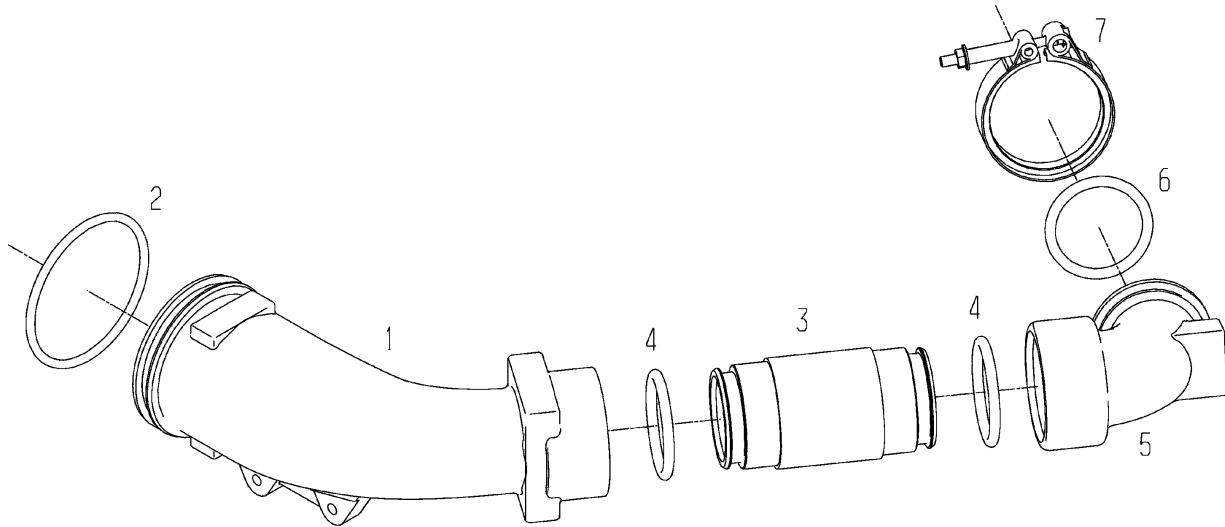
#016008060006

EXHAUST MANIFOLD WATER COOLED

1	51.08101-6377	EXHAUST MANIFOLD	1
2	51.06302-2223	TUBE	1
3	51.91606-0037	COVER A40,3/14,5-X5CRNI1810N	6
4	51.91606-0049	COVER A36,2/10-X5CRNI1810N	5
5	04.10160-9164	ADHESIVE 50 ML BOTTLE	1
6	06.08092-0144	DRAIN PLUG AM14X1,5-ST-A3C	1
7	06.56631-0235	SEAL 14,3X22X1,5-ST/FKM1-80 WITH ELASTOMER LIP	1

V-GR.: 51.#0160-0465

08-9650



E 0836 LE202

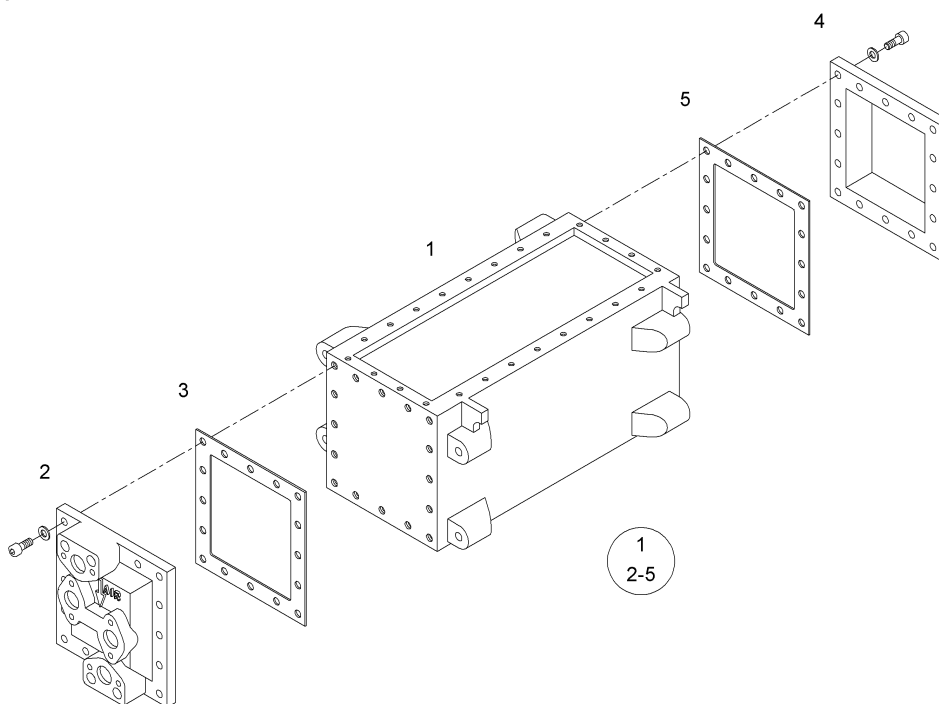
#011008000216

INTAKE MANIFOLD

1	51.09411-0534	INTERCOOLER ELBOW CHARGE MIXING SYSTEM	1
2	06.56936-3004	O-RING 86X5N-FPM1-70-GN	1
3	51.98182-0080	EXTENSION TUBE	1
4	06.56936-2225	O-RING 50X6-FPM1-70-GN	2
5	51.09411-0278	INTERCOOLER ELBOW	1
6	06.56343-1213	O-RING 52X3B-FPM1-70-GN	1
7	51.97445-0052	PROFILED CLAMP 72X20-W1-2	1

V-GR.: 51.#0110-0754

08-8743



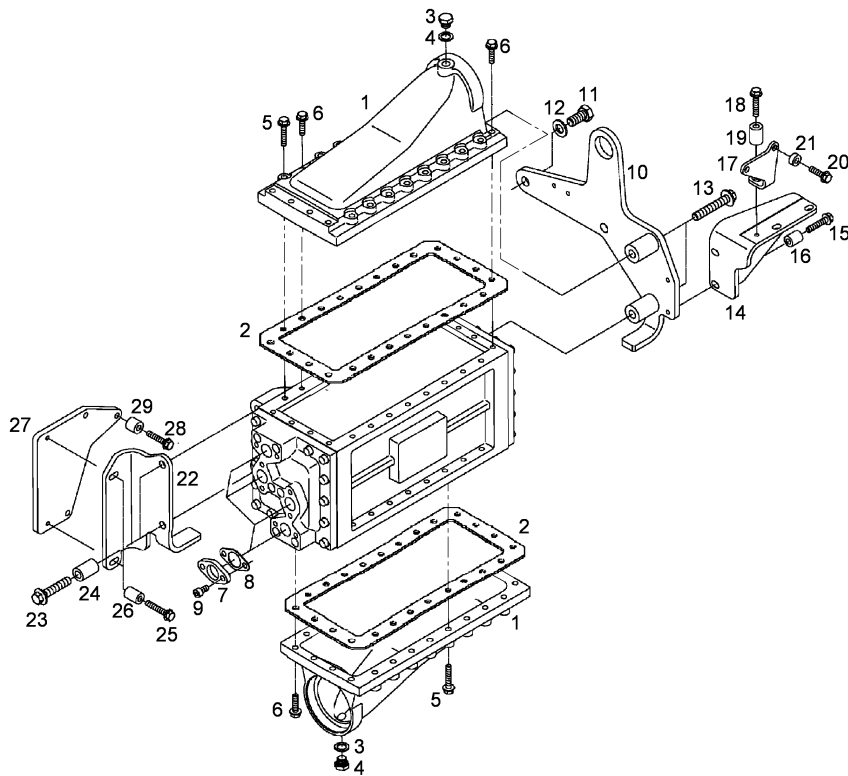
E 0836 LE202

#011008002190

INTERCOOLER COMPONENTS

1	50.09500-7004	INTERCOOLER	1
2	51.09503-0070	INTERMEDIATE HOUSING	1
3	51.09905-0072	INTERCOOLER SEAL	1
4	51.09503-0071	REVERSING CHAMBER	1
5	51.09905-0073	INTERCOOLER SEAL	1

V-GR.: 51.#0110-0754



E 0836 LE202

#011008000201

INTERCOOLER MOUNTING PARTS

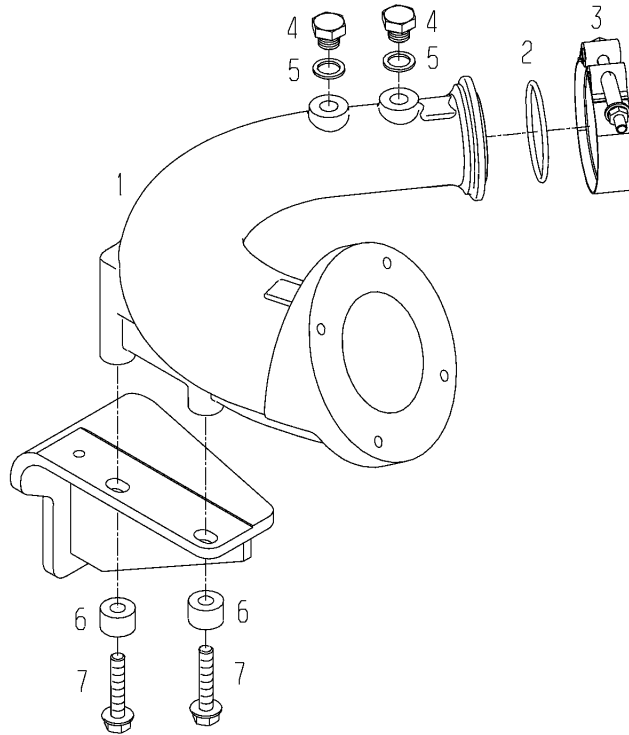
1	51.09411-0572	INTERCOOLER ELBOW	2
2	50.09905-0008	INTERCOOLER SEAL	2
3	06.08092-0144	DRAIN PLUG AM14X1,5-ST-A3C	2
4	06.56631-0235	SEAL 14,3X22X1,5-ST/FKM1-80 WITH ELASTOMER LIP	2
5	06.03216-8308	HEX FLANGE BOLT M8X40-10.9-MAN183-B1	34
6	06.03216-8306	HEX FLANGE BOLT M8X30-10.9-MAN183-B1	14
7	-	DELETED	*
8	-	DELETED	*
9	-	DELETED	*
10	51.19202-5023	LIFTING EYE	1
11	06.01289-0129	HEXAGON SCREW M14X30-8.8-MAN183-A3C	2
12	-	DELETED	*
13	06.03216-8514	HEX FLANGE BOLT M12X70-10.9-MAN183-B1	2
14	51.09440-5022	BRACKET	1
15	06.03216-8308	HEX FLANGE BOLT M8X40-10.9-MAN183-B1	2
16	51.91701-0399	BUSH 9X18X22-ST35NBK	2
17	51.09440-0094	BRACKET	1
18	06.03216-8308	HEX FLANGE BOLT M8X40-10.9-MAN183-B1	1
19	51.91701-0590	BUSH 9X20X28,5-ST35NBK	1
20	06.03216-8306	HEX FLANGE BOLT M8X30-10.9-MAN183-B1	2
21	51.91701-0677	BUSH 9X18X8-ST35NBK	2

V-GR.: 51.#0110-0754

E 0836 LE202			#011008000201
22	51.09540-0055	BRACKET FOR INTERCOOLER	1
23	06.03216-8512	HEX FLANGE BOLT M12X60-10.9-MAN183-B1	2
24	51.91701-0553	BUSH 12,5X22X34-ST35NBK	2
25	06.03216-8307	HEX FLANGE BOLT M8X35-10.9-MAN183-B1	2
26	51.91701-0997	BUSH 9X16X18-9SMNPB28K-R3R	2
27	51.09540-0054	BRACKET FOR INTERCOOLER	1
28	06.03216-8308	HEX FLANGE BOLT M8X40-10.9-MAN183-B1	3
29	51.91701-0997	BUSH 9X16X18-9SMNPB28K-R3R	3

V-GR.: 51.#0110-0754

08-9642



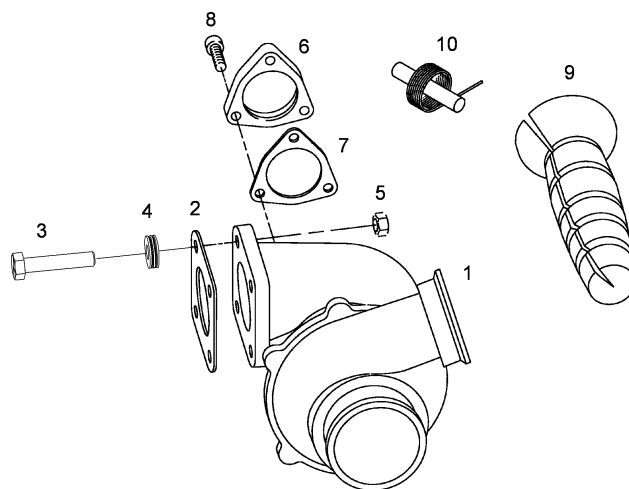
E 0836 LE202

#030008000016

TURBOCHARGER INTAKE MANIFOLD

1	51.09402-0160	INTAKE MANIFOLD	1
2	06.56343-1213	O-RING 52X3B-FPM1-70-GN	1
3	51.97445-0052	PROFILED CLAMP 72X20-W1-2	1
4	06.08099-0018	DRAIN PLUG AM12X1,5-ST-MAN183-B1	2
5	06.56631-0234	SEAL 12,3X18X1,5-ST/FKM1-80 WITH ELASTOMER LIP	2
6	51.91701-0134	BUSH 9X20X13-ST35NBK	2
7	06.03216-8308	HEX FLANGE BOLT M8X40-10.9-MAN183-B1	2

V-GR.: 51.#0300-0368



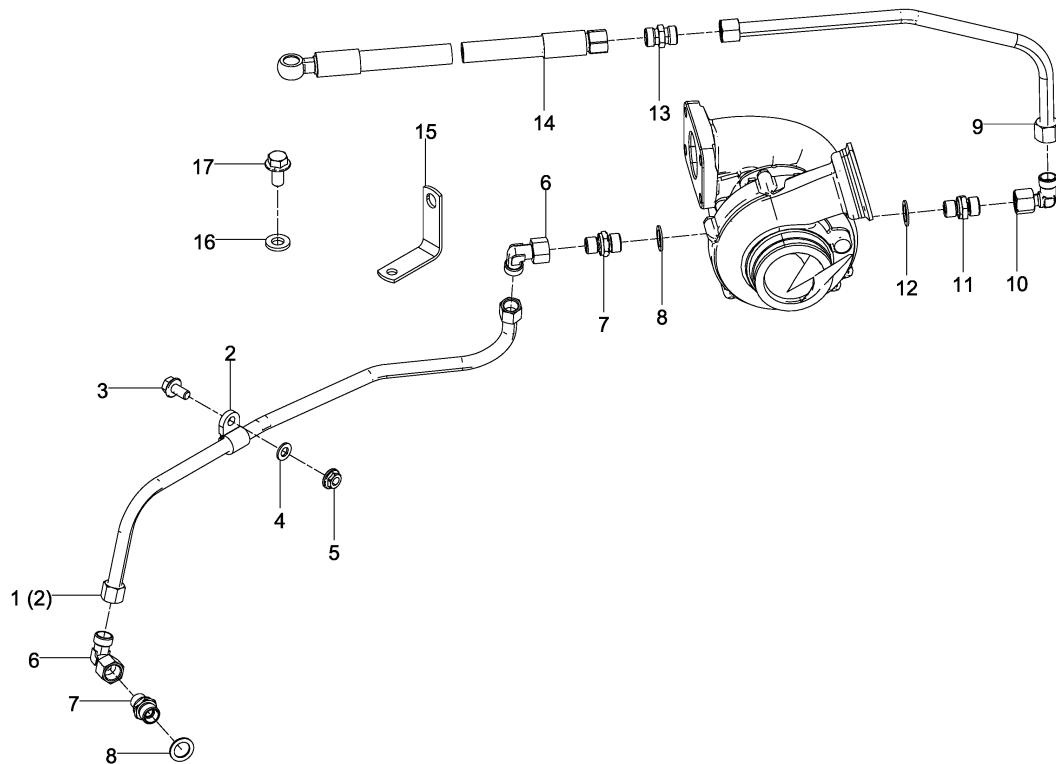
E 0836 LE202

#007009000538

TURBOCHARGER

1	51.09100-7654	TURBOCHARGER	1
-	51.96501-0625	O-RING 110X2,5-MVQ	1
2	51.09901-0059	TURBO CHARGER SEAL	1
3	51.90001-0202	HEX SHOULDER STUD M8X40-GA-WARMFEST-CU8GL	4
4	51.93030-0110	BUSH 8,5X18X5-X15CRNISI20-12-HOCHWA	4
5	06.11249-0017	HEX LOCK NUT AM8-GA-C2J	4
6	51.15201-0090	FLANGE	1
7	51.09901-0061	TURBO CHARGER SEAL	1
8	51.90030-0110	CYLINDER SCREW M8X25-WF	3
9	51.08120-0324	INSULATING MAT	1
10	51.08140-0035	STEEL WIRE 0,8X25000-ST-ZN	1

V-GR.: 51.#0070-0698



E 0836 LE202

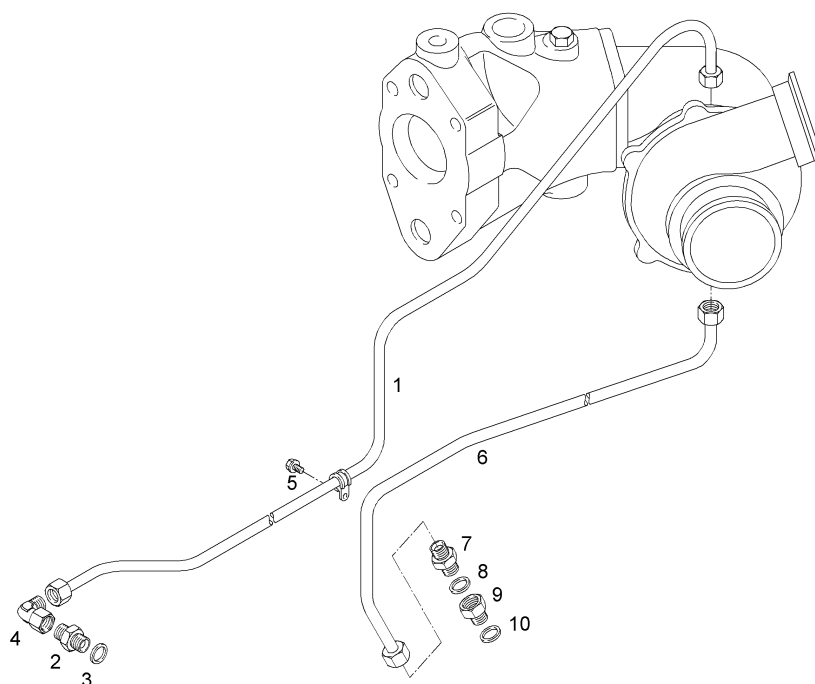
#007009000539

TURBOCHARGER COOLING WATER LINES

1	51.06303-5725	COOLANT PIPE 10X1,5-ST35NBK	1
2	06.67300-1030	CLAMP D1-10X20-W4-EPDM	1
3	06.03216-8303	HEX FLANGE BOLT M8X16-10.9-MAN183-B1	1
4	06.15013-0411	WASHER 8X16X1,6-200HV-MAN183-B1	1
5	06.11251-2018	HEX LOCK NUT M8-10-MAN183-B1	1
6	06.71239-0006	ELBOW SWOE-L10-FKM-M3360-RK3-K	2
7	51.98130-0579	STRAIGHT UNION M14X1,5-NW10	2
8	06.56631-0235	SEAL 14,3X22X1,5-ST/FKM1-80 WITH ELASTOMER LIP	2
9	51.06304-5615	COOLANT PIPE	1
10	06.71239-0006	ELBOW SWOE-L10-FKM-M3360-RK3-K	1
11	51.98130-0579	STRAIGHT UNION M14X1,5-NW10	1
12	06.56631-0235	SEAL 14,3X22X1,5-ST/FKM1-80 WITH ELASTOMER LIP	1
13	06.71070-2107	STRAIGHT UNION S-L10-MAN183-B1	1
14	51.96341-0363	HOSE PIPE	1
15	51.97480-0336	BRACKET	2
16	51.90710-0207	SPACER 11X21X3-9SMNPB28K	2
17	06.03216-8404	HEX FLANGE BOLT M10X20-10.9-MAN183-B1	2

V-GR.: 51.#0070-0698

09-8312



E 0836 LE202

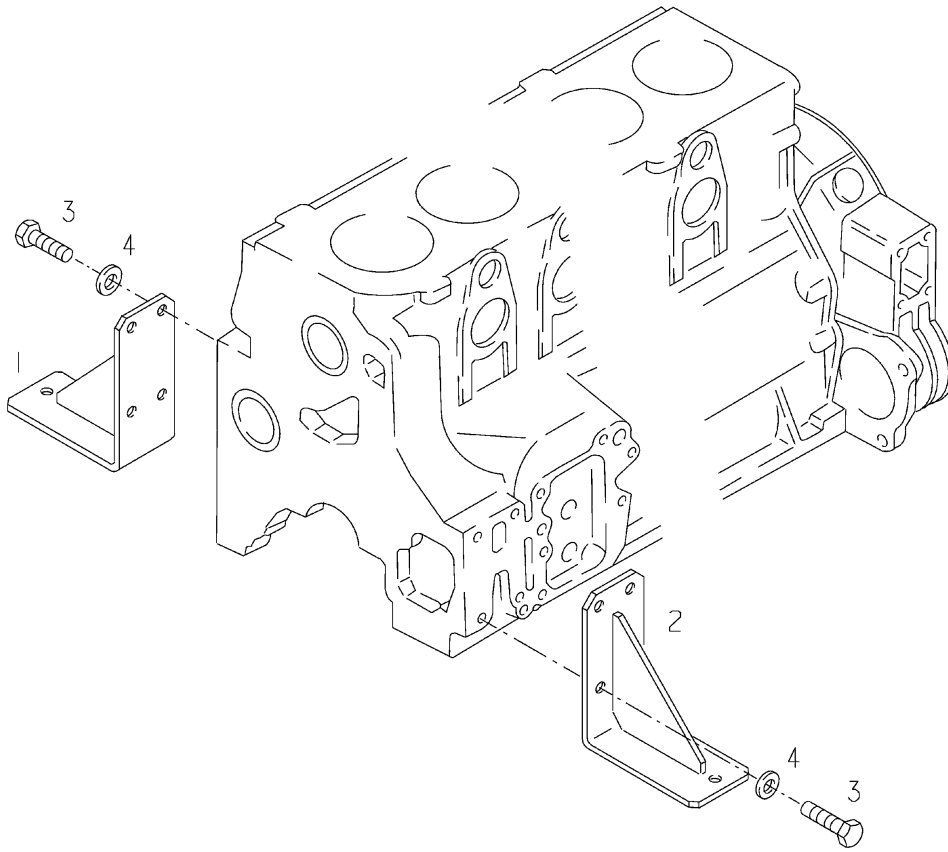
#007009001390

TURBOCHARGER OIL LINES

1	51.05703-5573	OIL PRESSURE PIPE 8X1-ST35NBK	1
-	51.97401-0542	CLAMP D1-8X20-W1-EPDM-2	1
-	51.96501-0641	SEAL E02-8L-ST-VITON	2
2	06.71251-2302	STRAIGHT UNION L8A-M14X1,5-ST-MAN183-B1	1
3	06.56631-0235	SEAL 14,3X22X1,5-ST/FKM1-80 WITH ELASTOMER LIP	1
4	06.71230-2102	ELBOW UNION L8-MAN183-B1	1
5	06.03216-8303	HEX FLANGE BOLT M8X16-10.9-MAN183-B1	1
6	51.05703-5574	OIL RETURN PIPE 12X1,5-ST35NBK	1
-	51.96501-0639	SEAL E02-12L-ST-VITON	2
7	06.71060-2104	STRAIGHT UNION L12A-M-ST-MAN183-B1	1
8	06.56631-0236	SEAL 16,3X24X1,5-ST/FKM1-80 WITH ELASTOMER LIP	1
9	51.98130-0526	REDUCING UNION	1
10	06.56631-0112	SEAL 26,7X34,93X2-ST/FPM1-80 WITH ELASTOMER LIP	1

V-GR.: 51.#0070-0698

19-9189



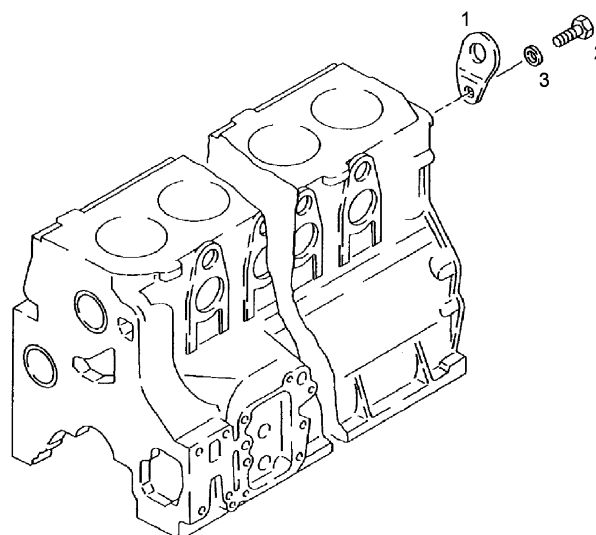
E 0836 LE202

#041019000025

ENGINE SUPPORT OPPOSITE FLYWHEEL END

1	50.17310-5058	ENGINE SUPPORT FRONT RIGHT	1
2	50.17310-5059	ENGINE SUPPORT FRONT LEFT	1
3	06.01289-0116	HEXAGON SCREW M12X35-8.8-MAN183-A3C	8
4	06.15013-0413	WASHER 12X24X2,5-200HV-MAN183-B1	8

V-GR.: 51.#0410-0690



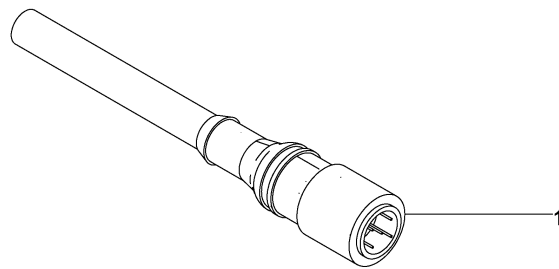
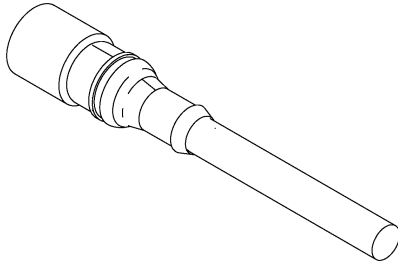
E 0836 LE202

#041019201220

LIFTING EYE REAR

1	51.19202-0174	LIFTING EYE	1
2	06.01289-0172	HEXAGON SCREW M14X25-8.8-MAN183-A3C	1
3	06.15013-0415	WASHER 14X28X2,5-200HV-MAN183-B1	1

V-GR.: 51.#0410-0690



E 0836 LE202

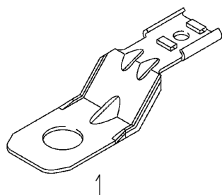
#060025000022

CONNECTING LINE

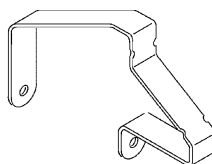
1	51.25411-6028	POWER CABLE	1
-	51.25432-0014	CONTACT PIN	2

V-GR.: 51.#0600-0582

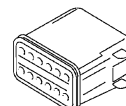
25-9223



1



2



3



4



5

E 0836 LE202

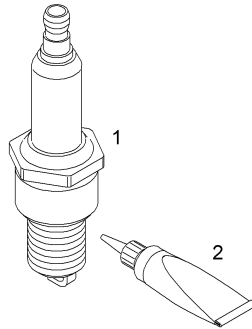
#060025000018

PLUG BRACKET

2	-	DELETED	*
3	51.25435-0128	PLUG 12 PIN	1
4	-	DELETED	*
5	-	DELETED	*

V-GR.: 51.#0600-0582

25-8229



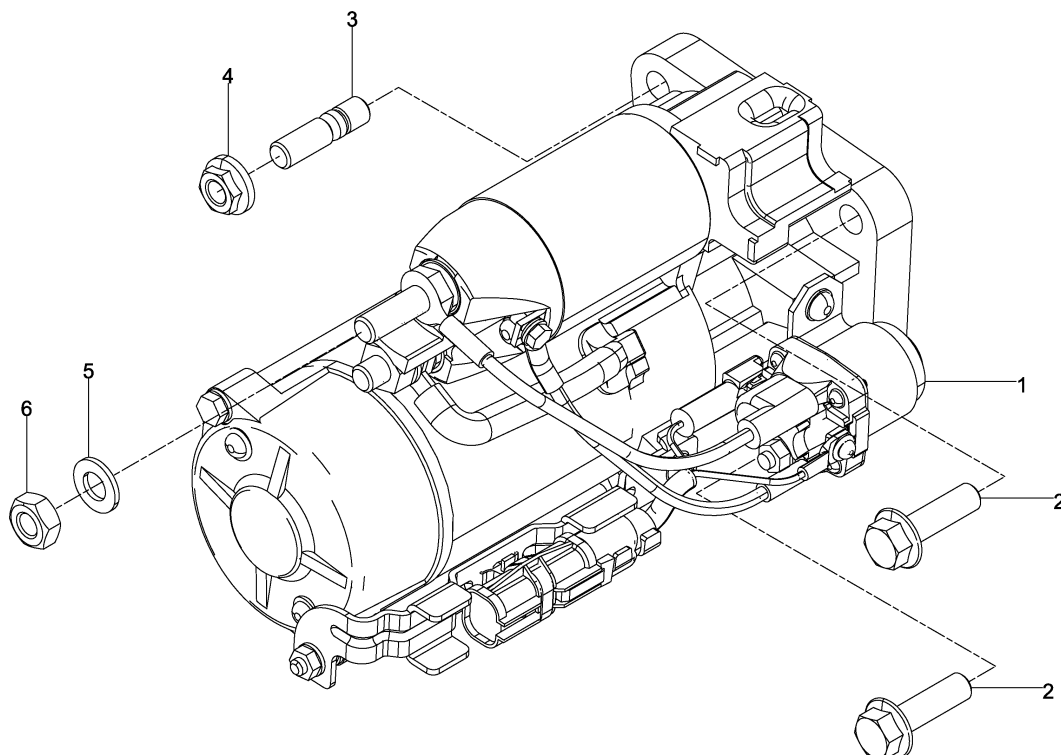
E 0836 LE202

#053025000160

SPARK PLUG

1	51.25923-0052	SPARK PLUG	6
2	-	DELETED	*

V-GR.: 51.#0530-0026



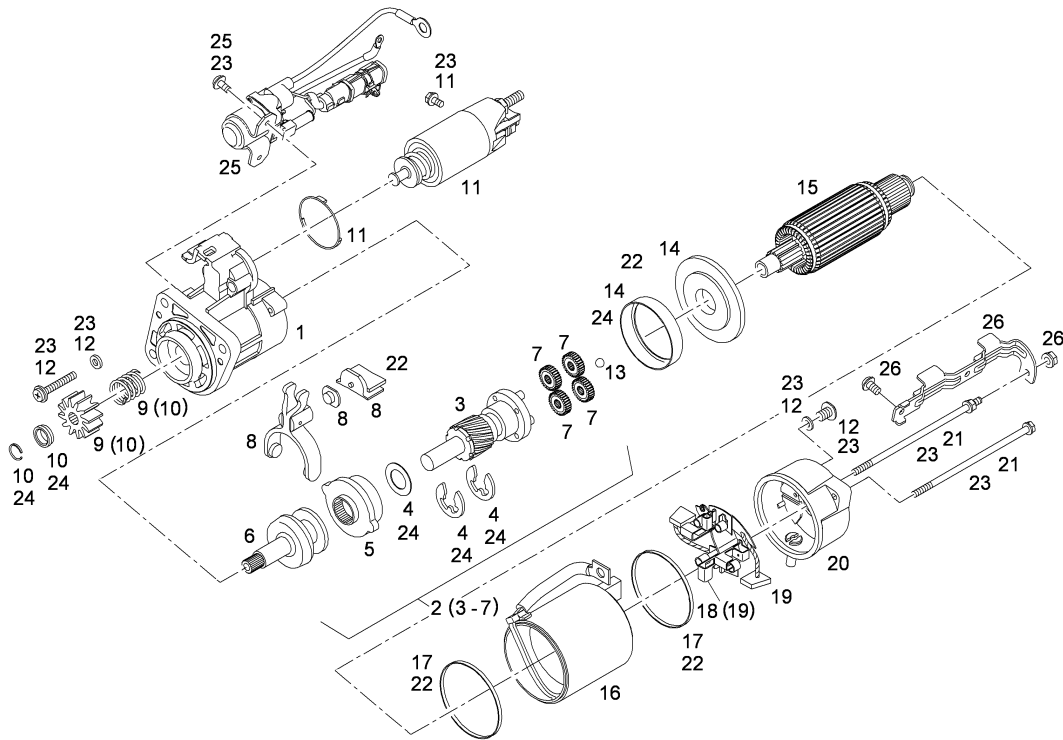
E 0836 LE202

#005026000330

STARTER

1	51.26201-7236	STARTER	1
1	-	FOR INDIVIDUAL PARTS SEE PLATE AND/OR REFERENCE NUMBER	*
2	06.03216-8407	HEX FLANGE BOLT M10X35-10.9-MAN183-B1	2
3	06.06138-0807	STUD M10X28-8.8-ZNPHR3F	1
4	06.11251-2001	HEX LOCK NUT M10-10-MAN183-B1	1
5	06.15013-0412	WASHER 10X20X2-200HV-MAN183-B1	1
6	06.11181-0115	HEXAGON NUT M10-A2-70	1

V-GR.: 51.#0050-0298



E 0836 LE202

B26202600007

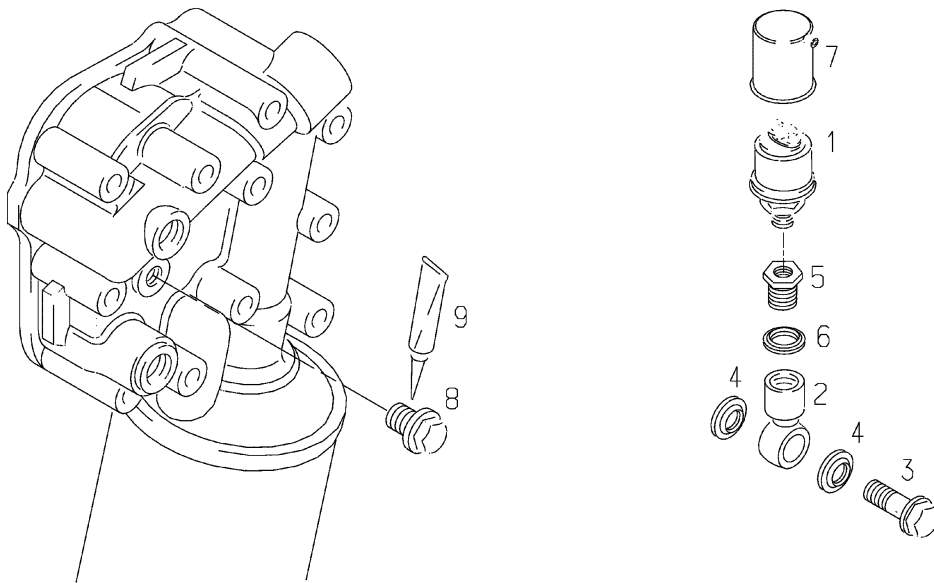
STARTER COMPONENTS

1	51.26215-0020	DRIVE BEARING	1
2	51.26213-6005	PLANETARY GEAR PARTS KIT	1
3	51.26214-0005	ARMATURE SHAFT	1
4	51.90820-6001	PARTS KIT CIRCLIP	1
5	51.26213-0013	GEARBOX	1
6	51.26213-0014	STARTER FREEWHEEL	1
7	51.26218-6006	GEAR PARTS KIT	4
8	51.26236-6003	FORK LEVER PARTS KIT	1
9	51.26218-6007	STARTER PINION PARTS KIT	1
10	51.26218-6008	SPRING WASHER PARTS KIT	1
11	51.26212-0027	SOLENOID	1
12	51.26240-6003	MOUNTING BOLT SWITCH PARTS KIT CARBON BRUSH	1
13	51.93406-0003	BALL	1
14	51.96601-6004	GASKET PARTS KIT	1
15	51.26203-0011	ARMATURE	1
16	51.26204-0016	POLE CASING	1
17	51.96501-0648	O-RING	2
18	51.26216-6006	BRUSH HOLDER PARTS KIT	1
19	51.25921-0007	CARBON BRUSH SPRING	4
20	51.26207-0019	COMMUTATOR END SHIELD	1
21	51.26240-6014	ATTACHMENT BOLT LONG SET	1

E 0836 LE202			B262026000007
22	51.96601-6005	PARTS KIT GASKET	1
23	51.26240-6015	MOUNTING BOLT COMPLETE PARTS KIT	1
24	51.90710-6001	WASHER SET	1
25	51.26212-0028	RELAY	1
26	51.26240-6016	SUPPORT PLATE PARTS KIT	1

V-GR.: 51.26201-7236

27-9299



E 0836 LE202

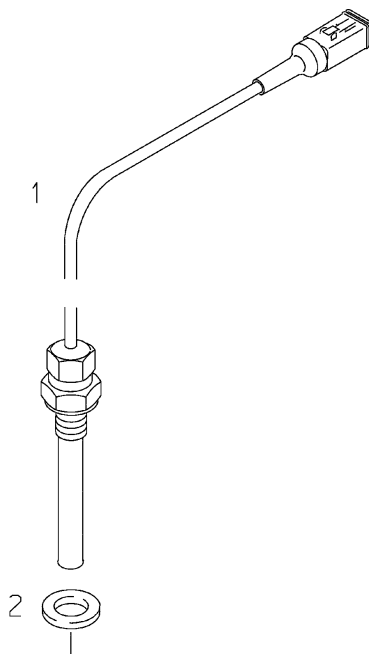
#060027000194

OIL PRESSURE SENSOR

1	50.27421-0051	OIL PRESSURE SENDER WARNING CONTACT	1
2	51.05520-0049	CONNECTING PIPE FOR OIL PRESSURE SENDER	1
3	06.78340-4108	HOLLOW SCREW	1
4	06.56631-0237	SEAL 18,3X26X1,5-ST/FKM1-80 WITH ELASTOMER LIP	2
5	51.98130-0058	REDUCING UNION	1
6	06.56631-0237	SEAL 18,3X26X1,5-ST/FKM1-80 WITH ELASTOMER LIP	1
7	81.96410-0123	RUBBER CAP	1
8	06.08092-2142	DRAIN PLUG CM10X1-ST-A3C	1
9	04.10160-9164	ADHESIVE 50 ML BOTTLE	1

V-GR.: 51.#0600-0582

27-9266



E 0836 LE202

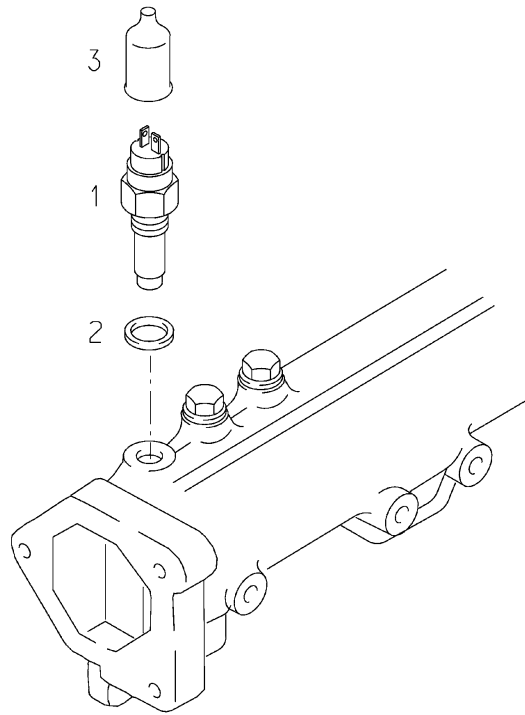
#060027000174

TEMPERATURE SENDER

1	51.27421-0158	TEMPERATURE SENDER	1
2	06.56190-0706	SEAL A14X20-CU	1

V-GR.: 51.#0600-0582

27-9187/1



E 0836 LE202

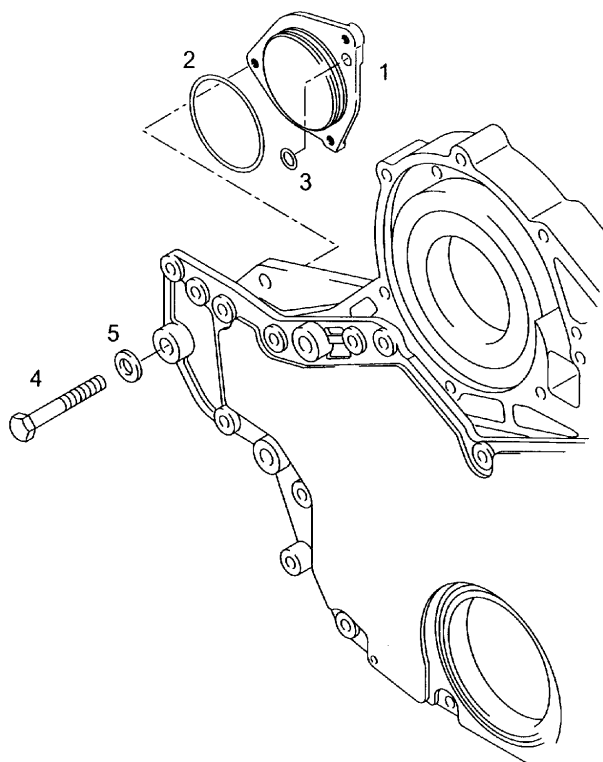
#060027010020

TEMPERATURE SENDER COOLING WATER

1	51.27420-0008	TEMPERATURE SENDER WITH SWITCH	1
2	06.56631-0235	SEAL 14,3X22X1,5-ST/FKM1-80 WITH ELASTOMER LIP	1
3	81.96410-0061	PROTECTIVE CAP	1

V-GR.: 51.#0600-0582

54-8347



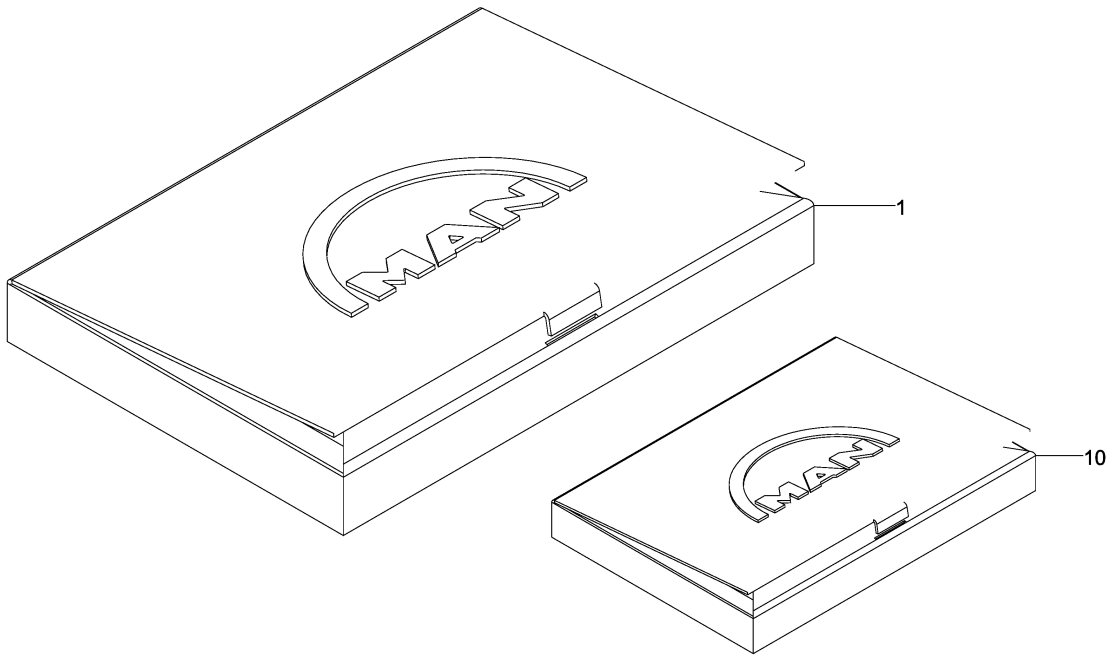
E 0836 LE202

#006054000400

AIR COMPRESSOR DELETED COVER

1	51.54130-0047	RIVETTED FLANGE	1
2	06.56936-2969	O-RING 85X3N-FPM1-70-GN	1
3	06.56938-0522	O-RING 10X3-FKM1-80-GN	1
4	06.01289-0164	HEXAGON SCREW M12X80-8.8-MAN183-A3C	3
5	06.15013-0413	WASHER 12X24X2,5-200HV-MAN183-B1	3

V-GR.: 51.#0060-0489



E 0836 LE202

#001099000035

ENGINE SEAL SET DECARBONIZER SET

1	51.00900-6670	ENGINE SEAL SET	1
-	51.01903-0333	CONTROL HOUSING SEAL	1
-	51.01903-0322	CONTROL HOUSING SEAL	1
-	51.01510-7000	RADIAL SHAFT SEAL FRONT	1
-	51.01510-0274	RADIAL SHAFT SEAL 66X90X12RD-ACM/PTFE	1
-	51.03901-0391	CYLINDER HEAD GASKET	3
-	51.03905-0155	CYLINDER HEAD COVER GASKET	3
-	51.04902-0029	SEAL - VALVE STEM D02/D08	12
-	51.08902-0179	INTAKE PIPE SEAL ASBESTOS-FREE	6
-	51.08902-0139	INTAKE PIPE SEAL ASBESTOS-FREE	2
-	06.56936-2969	O-RING 85X3N-FPM1-70-GN	1
-	51.08902-0207	INTAKE PIPE SEAL	2
-	06.56936-3004	O-RING 86X5N-FPM1-70-GN	3
-	51.96601-0593	GASKET 26X44X9X1-AFO1	4
-	06.56936-2225	O-RING 50X6-FPM1-70-GN	1
-	06.56343-1213	O-RING 52X3B-FPM1-70-GN	1
-	51.96601-0546	GASKET 20X44X9X0,5-AFOE4 ASBESTOS-FREE	2
-	51.05901-0139	GASKET OIL FILTER HEAD	1
-	06.56333-4245	O-RING 19X3B-FPM1-70-GN	2
-	51.05903-0024	GASKET ASBESTOS-FREE OIL SUCTION LINE	1
-	51.05904-0139	OIL SUMP SEAL ASBESTOS-FREE	1

E 0836 LE202			#001099000035
-	06.56938-0522	O-RING 10X3-FKM1-80-GN	13
-	51.01510-0275	RADIAL SHAFT SEAL 110X130X13LD-ACM/PTFE	1
-	06.56343-1213	O-RING 52X3B-FPM1-70-GN	1
-	51.06904-0023	THERMOSTAT SEAL ASBESTOS-FREE	1
-	51.08901-0167	GASKET COOLANT ELBOW	1
-	06.56937-2168	O-RING 48X4N-FPM2-70	1
-	06.56332-2167	O-RING 32X2,5B-ACM1-60	1
-	06.56936-2733	O-RING 74X5-FPM1-70-GN	1
-	51.06901-0196	COOLANT PUMP SEAL	1
-	06.56937-2168	O-RING 48X4N-FPM2-70	1
-	51.06904-0023	THERMOSTAT SEAL ASBESTOS-FREE	1
-	51.08901-0167	GASKET COOLANT ELBOW	1
-	06.56937-2168	O-RING 48X4N-FPM2-70	1
-	06.56332-2167	O-RING 32X2,5B-ACM1-60	1
-	06.56936-2733	O-RING 74X5-FPM1-70-GN	1
-	51.06901-0196	COOLANT PUMP SEAL	1
-	06.56937-2168	O-RING 48X4N-FPM2-70	1
10	51.00900-6676	DECARBONIZER SET	1
-	51.03901-0391	CYLINDER HEAD GASKET	1
-	51.03905-0155	CYLINDER HEAD COVER GASKET	1
-	51.06903-0030	COOLANT PIPE SEAL ASBESTOS-FREE	1
-	51.06904-0023	THERMOSTAT SEAL ASBESTOS-FREE	1
-	51.08901-0027	EXHAUST MANIFOLD SEAL ASBESTOS-FREE	2
-	51.08902-0179	INTAKE PIPE SEAL ASBESTOS-FREE	2

V-GR.: 51.#0010-0907



Printed in Germany