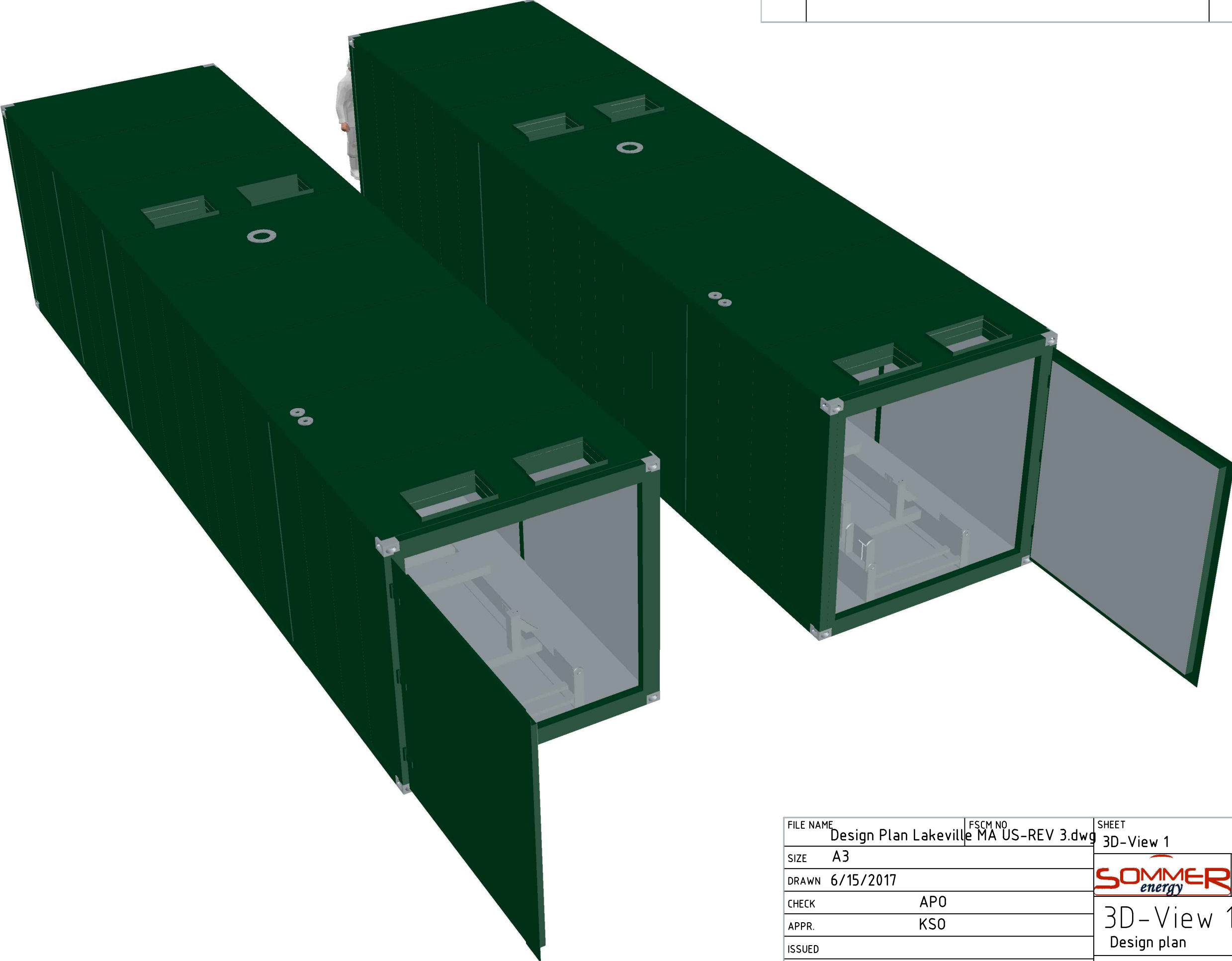



1 | 2 | 3 | 4 | 5 | 6 | 7 | 8

RevNo	Revision note	Date	Signature	Checked

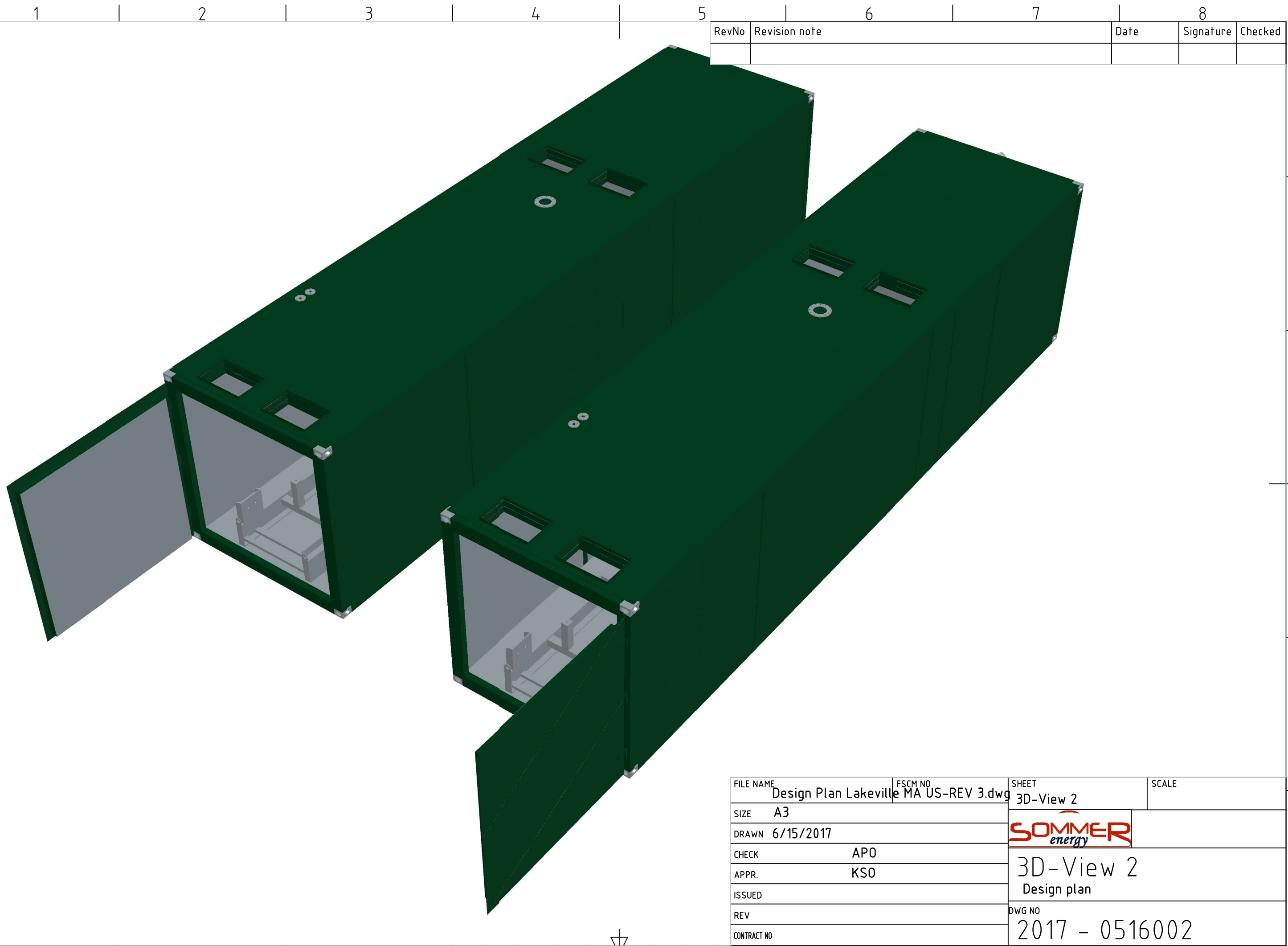


A  
B  
C  
D  
E  
F


A  
B  
C  
D  
E  
F

FILE NAME	Design Plan Lakeville MA US-REV 3.dwg	FSCM NO		SHEET	3D-View 1	SCALE	
SIZE	A3						
DRAWN	6/15/2017					3D-View 1	
CHECK	APO			Design plan			
APPR.	KSO						
ISSUED							
REV				DWG NO			
CONTRACT NO				2017 - 0516001			

1 | 2 | 3 | 4 | 5 | 6 | 7 | 8

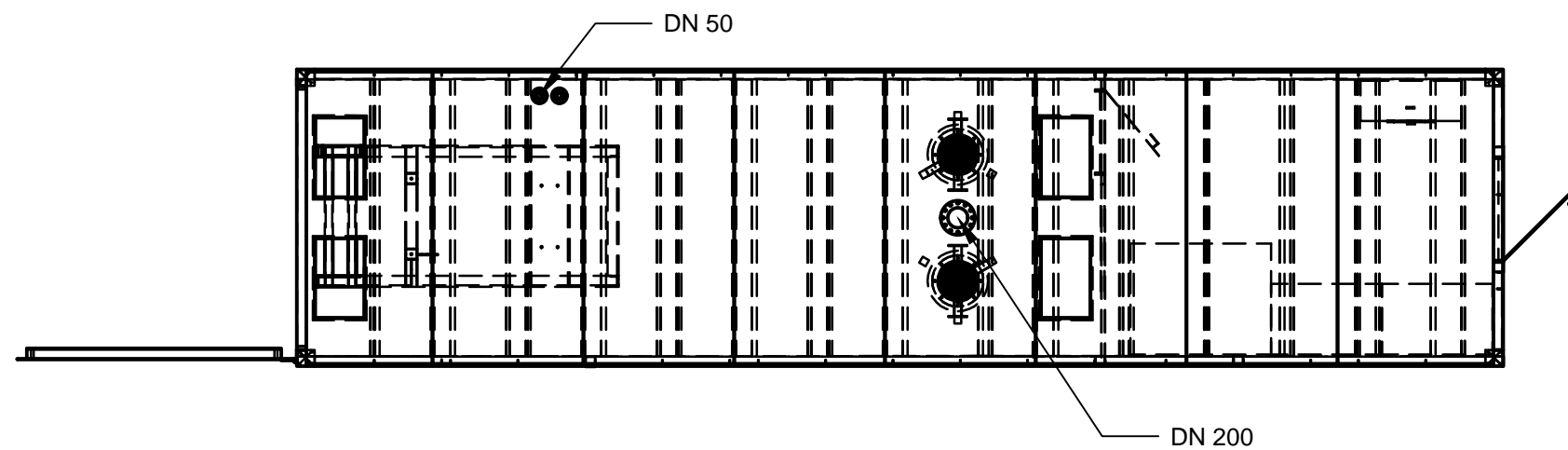
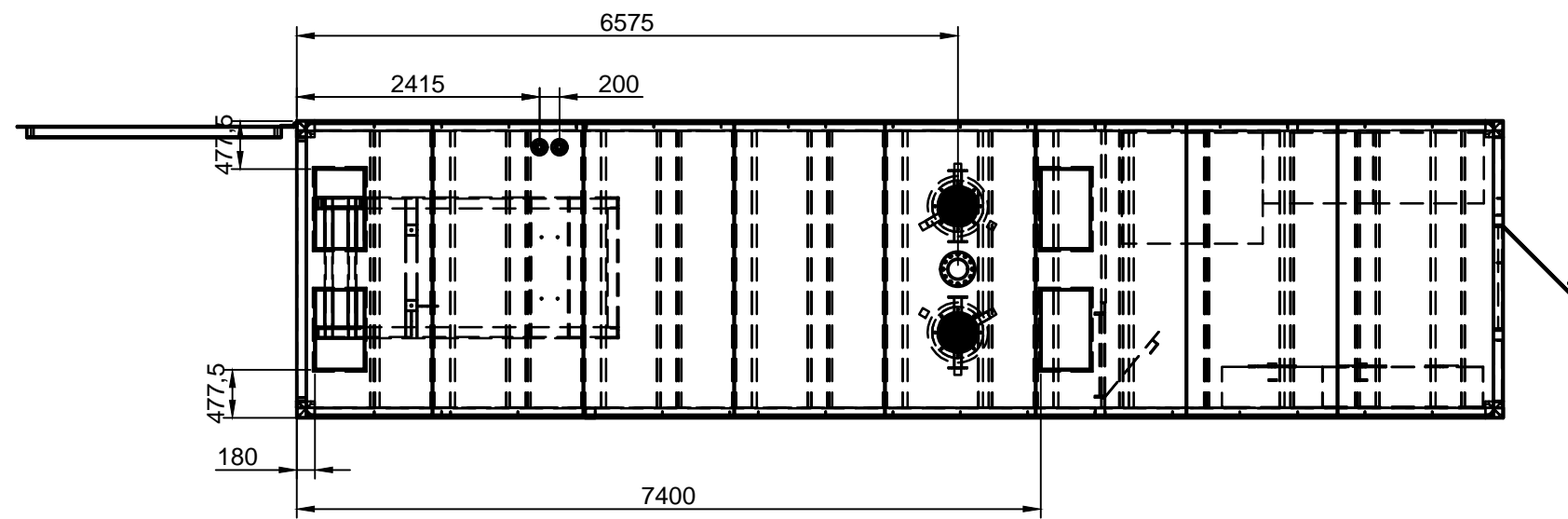
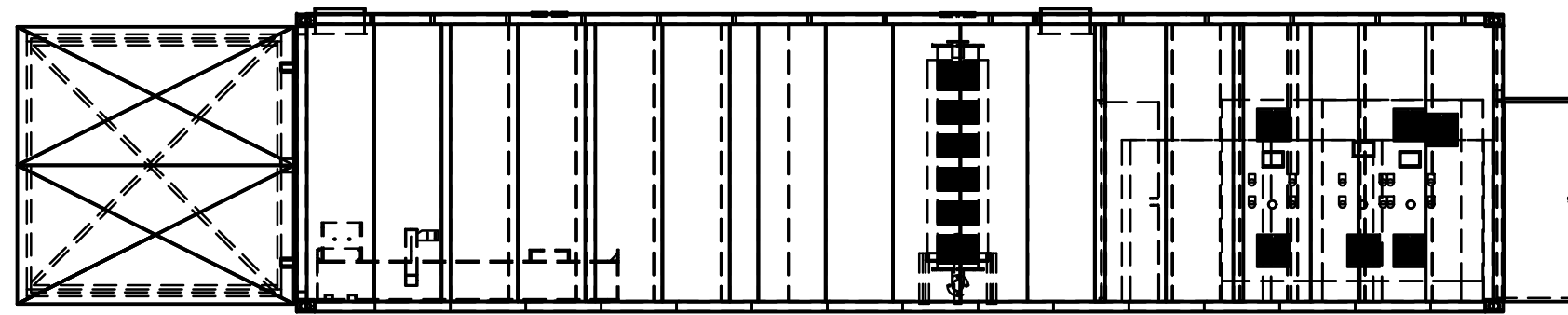



RevNo	Revision note	Date	Signature	Checked

FILE NAME	Design Plan Lakeville MA US-REV 3.dwg	FSCM NO		SHEET	3D-View 2	SCALE	
SIZE	A3						
DRAWN	6/15/2017					3D-View 2	
CHECK		APO		Design plan			
APPR.		KSO					
ISSUED							
REV				DWG NO			
CONTRACT NO				2017 - 0516002			

1 2 3 4 5 6 7 8

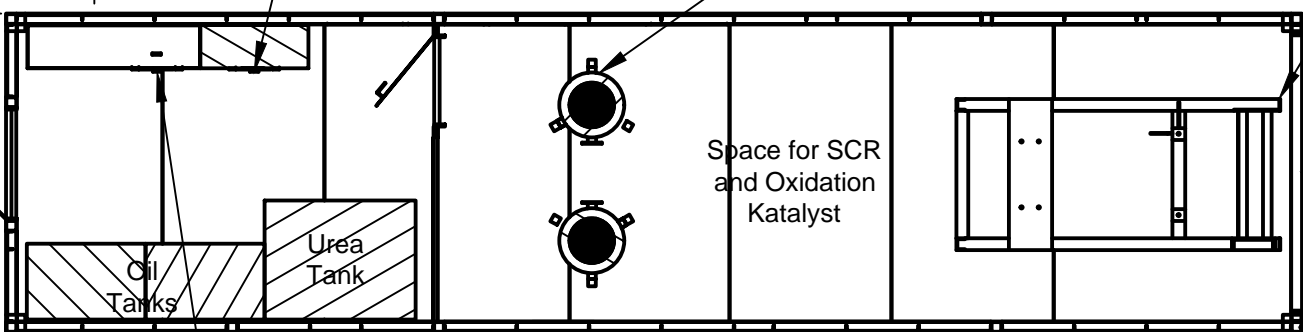
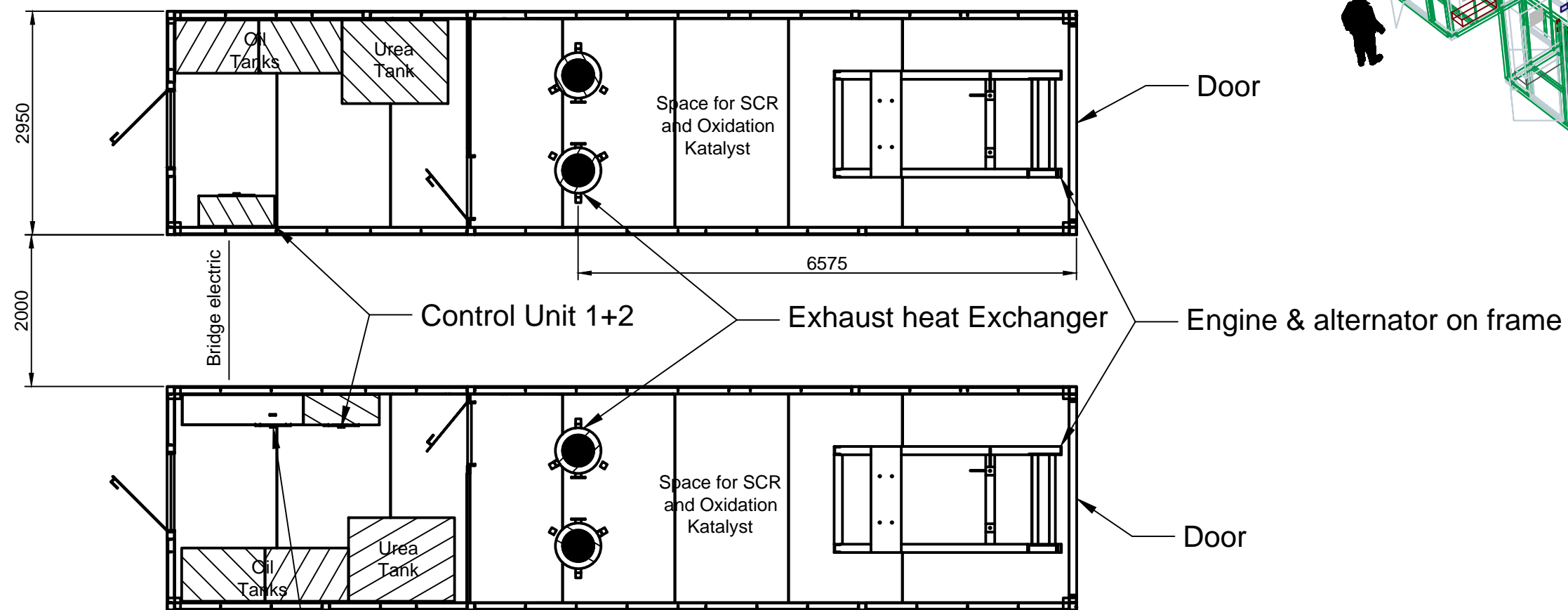
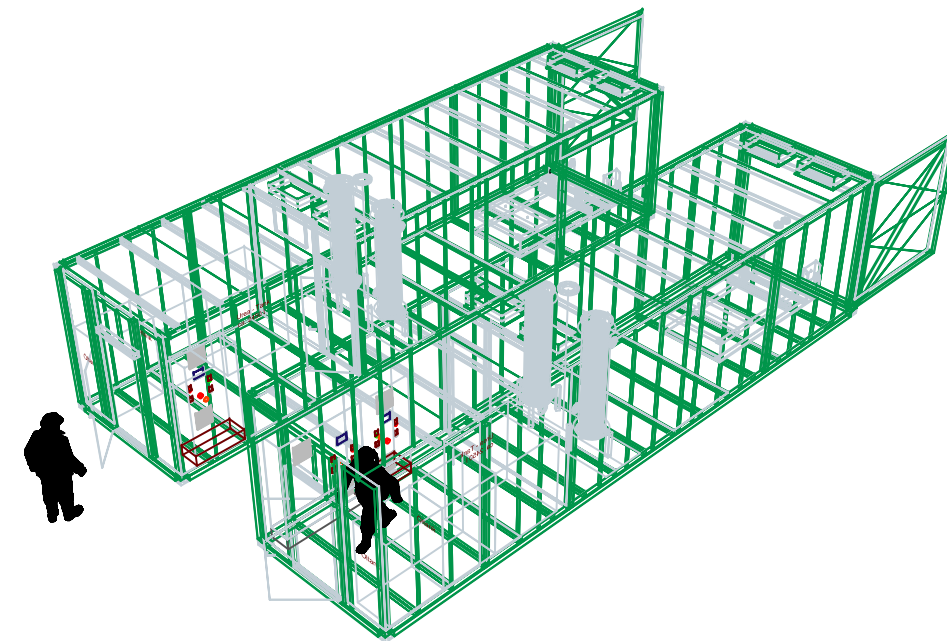
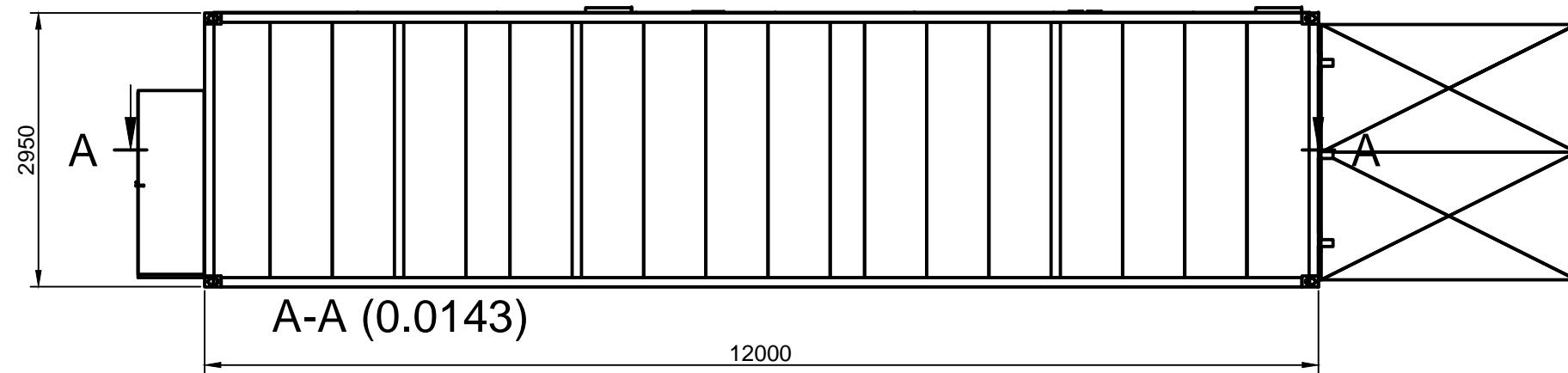
RevNo	Revision note	Date	Signature	Checked




FILE NAME	Design Plan Lakeville MA US-REV 3.dwg	FSCM NO		SHEET	Left & Top View	SCALE	1:70
SIZE	A3					Left and Top View Design plan	
DRAWN	6/15/2017						
CHECK		APO		DWG NO 2017 - 0516003			
APPR.		KSO					
ISSUED							
REV							
CONTRACT NO							

1 2 3 4 5 6 7 8

RevNo	Revision note	Date	Signature	Checked



FILE NAME	Design Plan Lakeville MA US-REV 3.dwg	FSCM NO		SHEET	Sect. Draw.	SCALE	1:70
SIZE	A3					Sectional Drawing Design plan	
DRAWN	6/15/2017						
CHECK	APO						
APPR.	KSO						
ISSUED							
REV							
CONTRACT NO				DWG NO 2017 - 0516004			